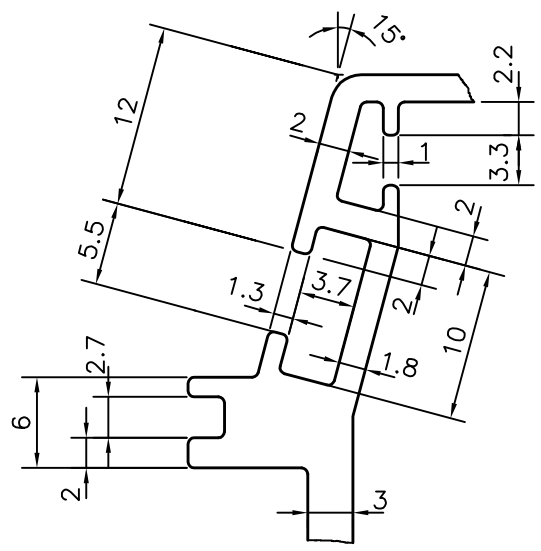
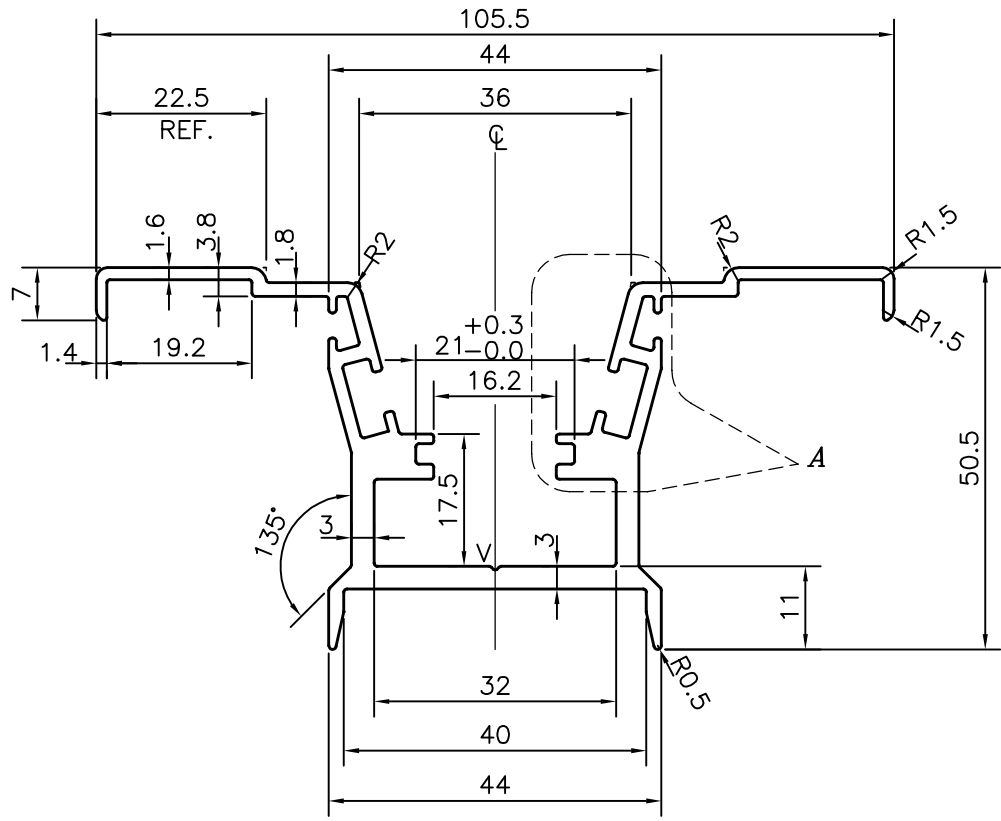


P-11236
X1558
34564
X1558



V = VEE GROOVE 0.5x90° ( 1 PLACES)

DETAIL OF 'A'  
SCALE 2:1



**JINDAL ALUMINIUM LTD.**  
BANGALORE-560073 (INDIA)

	NAME	DATE
DRAWN	PARVESH	28-09-2011
CHECKED		
APPROVED	S.S.GARG	22-10-2011
SCALE		1:1
AREA mm <sup>2</sup>		578.88
PERIMETER mm.		511.754
WEIGHT kg/m		1.563
DRAWING No.	SECTION No.	
P-11236	-	
X1558	X1558	
34564	34564	
X1558	X1558	

1. ALL DIMENSIONS ARE IN mm.
2. ROUND OFF ALL SHARP CORNERS WITH 0.40 mm.
3. TOLERANCES WILL BE AS PER, IS:3965-1981 UNLESS OTHERWISE SPECIFIED

PARTY'S NAME	MALROX, MUMBAI
PARTY'S DRAWING No.	AS PER SECTION No.: 22206
ALLOY & TEMPER	HE9 WP
DESCRIPTION	FEMAIL ELEMENT