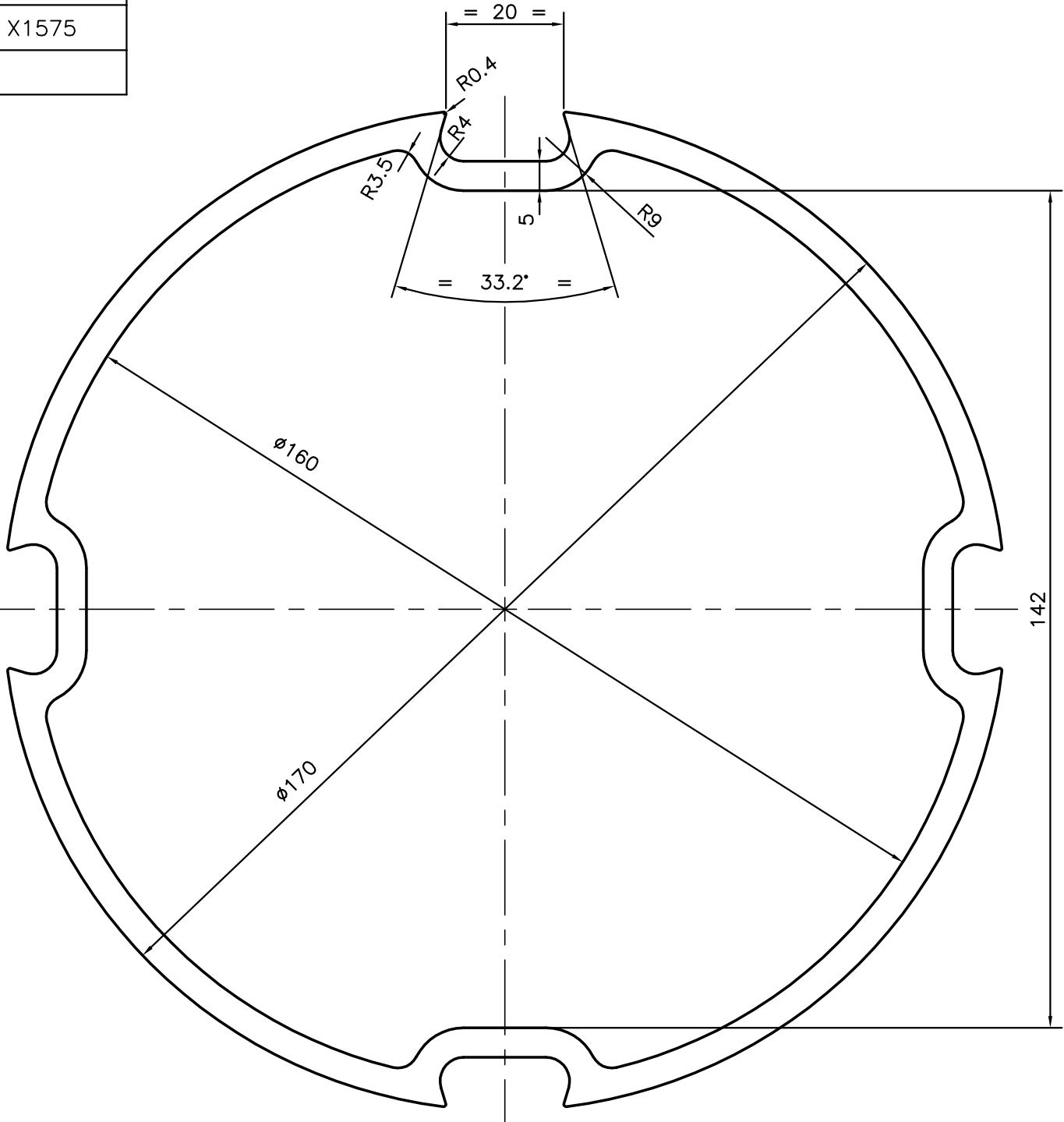


P-11463

X1575



SYMBOL OF QUALITY
AN ISO 9001 COMPANY

JINDAL ALUMINIUM LTD.
BANGALORE-560073 (INDIA)

	NAME	DATE
DRAWN	PARVESH	11-01-2012
CHECKED		
APPROVED	S.S.GARG	04-02-2012
SCALE		1:1
AREA mm ²		2824.014
PERIMETER mm.		594.61
WEIGHT kg/m		7.625
DRAWING No.	SECTION No.	
P-11463	-	
X1575	X1575	

1. ALL DIMENSIONS ARE IN mm.
2. ROUND OFF ALL SHARP CORNERS WITH 0.40 mm.
3. TOLERANCES WILL BE AS PER BS:EN-755-9, UNLESS OTHERWISE SPECIFIED

PARTY'S NAME	IDMC PTE LTD. SINGAPORE
PARTY'S DRAWING No.	AS PER DRAWING
ALLOY & TEMPER	6063 T6
DESCRIPTION	LONGEST STAND