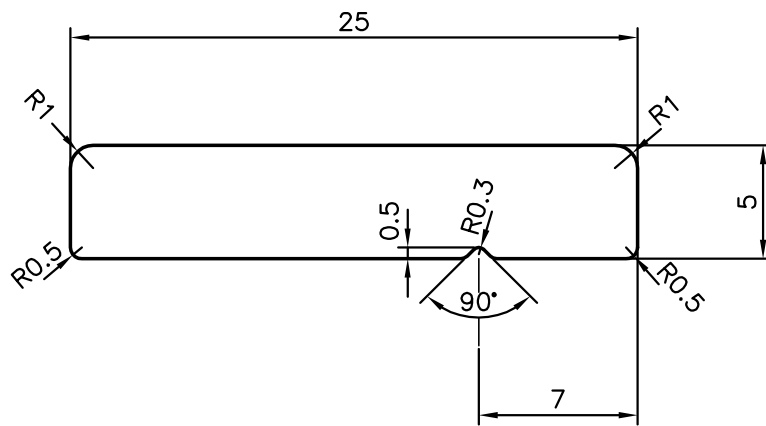
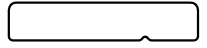


P-11496-1

X1581



SYMBOL OF QUALITY  
AN ISO 9001 COMPANY

**JINDAL ALUMINIUM LTD.**  
BANGALORE-560073 (INDIA)

	NAME	DATE
DRAWN	J.P.KAUSHIK	25-01-2012
CHECKED		
APPROVED	S.S.GARG	26-03-2012

1. ALL DIMENSIONS ARE IN mm.
2. ROUND OFF ALL SHARP CORNERS WITH 0.40 mm.
3. TOLERANCES WILL BE AS PER BS:EN-755-9 UNLESS OTHERWISE SPECIFIED

SCALE	3:1
AREA mm <sup>2</sup>	124.086
PERIMETER mm.	59.066
WEIGHT kg/m	0.335

PARTY'S NAME	TRIANGLE MARINE SERVICES, DUBAI
PARTY'S DRAWING No.	PART No :- TMS/A/02
ALLOY & TEMPER	6063 T4
DESCRIPTION	MISC. BAR

DRAWING No.	SECTION No.
P-11496-1	-
X1581	X1581