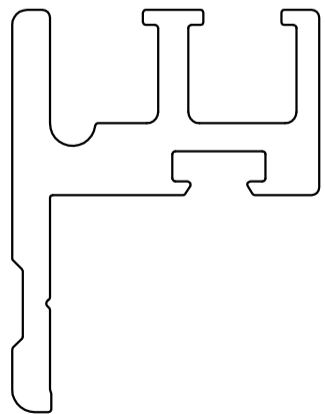
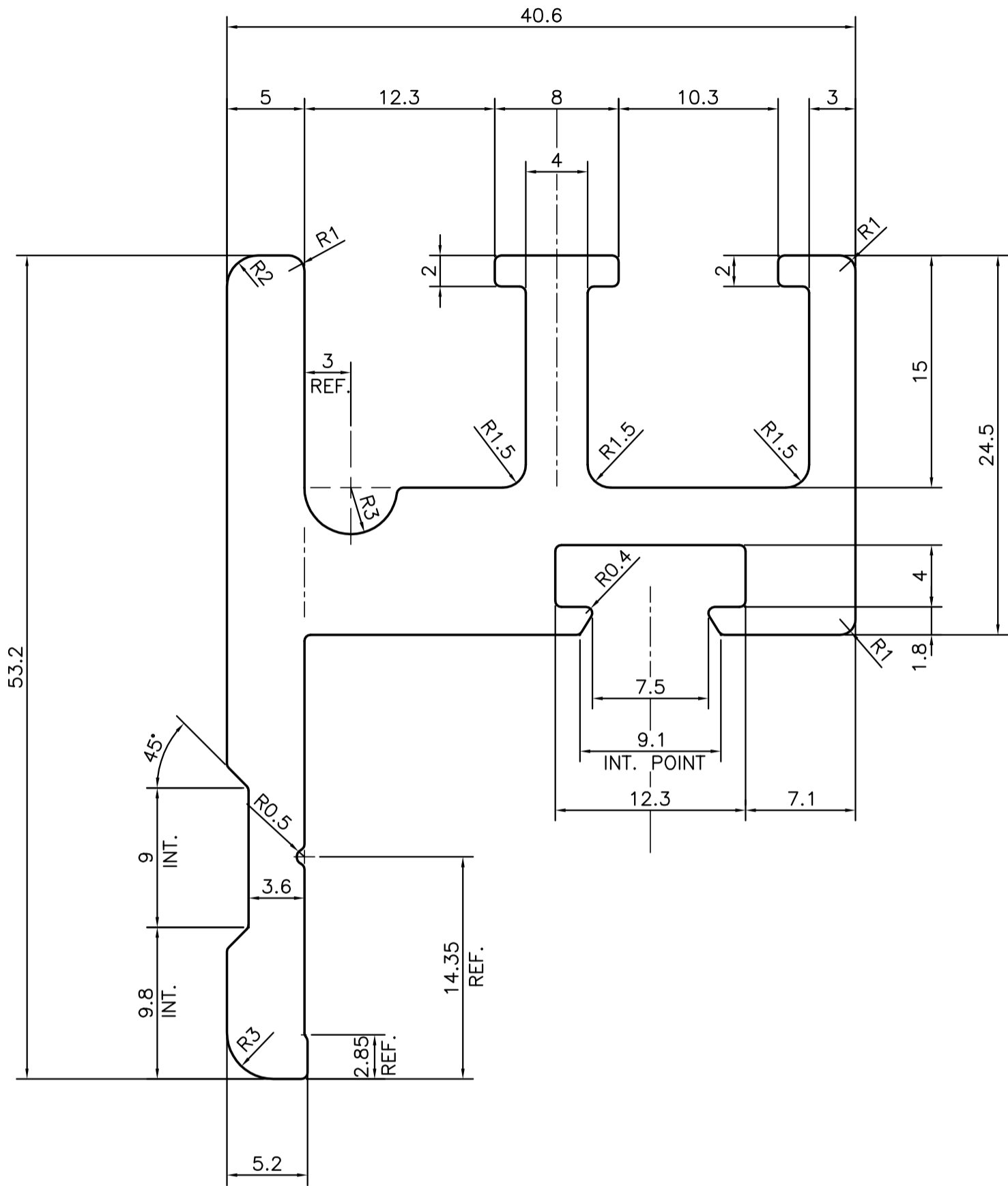


P-11499-1

X1583



SCALE :- 1:1



SYMBOL OF QUALITY
AN ISO 9001 COMPANY

JINDAL ALUMINIUM LTD.
BANGALORE-560073 (INDIA)

1. ALL DIMENSIONS ARE IN mm.
2. ROUND OFF ALL SHARP CORNERS WITH 0.40 mm.
3. TOLERANCES WILL BE AS PER BS:EN-755-9, UNLESS OTHERWISE SPECIFIED

PARTY'S NAME TRIANGLE MARINE SERVICES, DUBAI

PARTY'S DRAWING No. TMS/A/03

ALLOY & TEMPER 6063 T4

DESCRIPTION WINDOW SECTION

	NAME	DATE
DRAWN	PARVESH	30-01-2012
CHECKED		
APPROVED	S.S.GARG	26-03-2012
SCALE		3:1
AREA mm ²		626.829
PERIMETER mm.		276.286
WEIGHT kg/m		1.692
DRAWING No.	SECTION No.	
P-11499-1	-	
X1583	X1583	