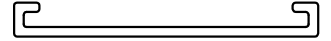
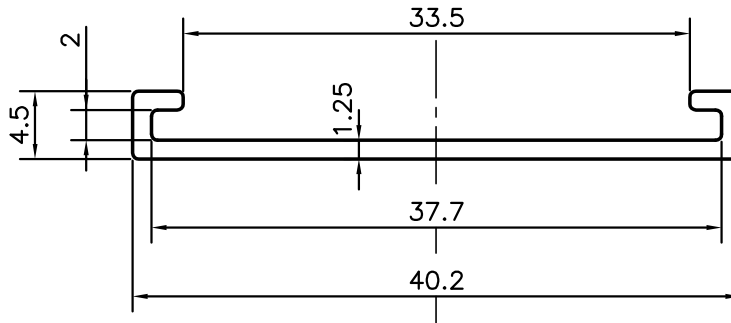


P-11988

X1613



1:1



SYMBOL OF QUALITY
AN ISO 9001 COMPANY

JINDAL ALUMINIUM LTD.
BANGALORE-560073 (INDIA)

	NAME	DATE
DRAWN	J.P.KAUSHIK	21-08-2012
CHECKED		
APPROVED	S.S.GARG	01-09-2012

1. ALL DIMENSIONS ARE IN mm.
2. ROUND OFF ALL SHARP CORNERS WITH 0.40 mm.
3. TOLERANCES WILL BE AS PER,BS:EN-755-9 UNLESS OTHERWISE SPECIFIED

SCALE	2:1
AREA mm ²	63.488
PERIMETER mm.	102.24
WEIGHT kg/m	0.171

PARTY'S NAME	ARIHANT ALUMINIUM, BANGALORE	DRAWING No.	P-11988	SECTION No.	-
PARTY'S DRAWING No.	AS PER SAMPLE		X1613		X1613
ALLOY & TEMPER	HE9 WP				
DESCRIPTION	MISC. CHANNEL				