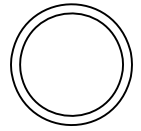
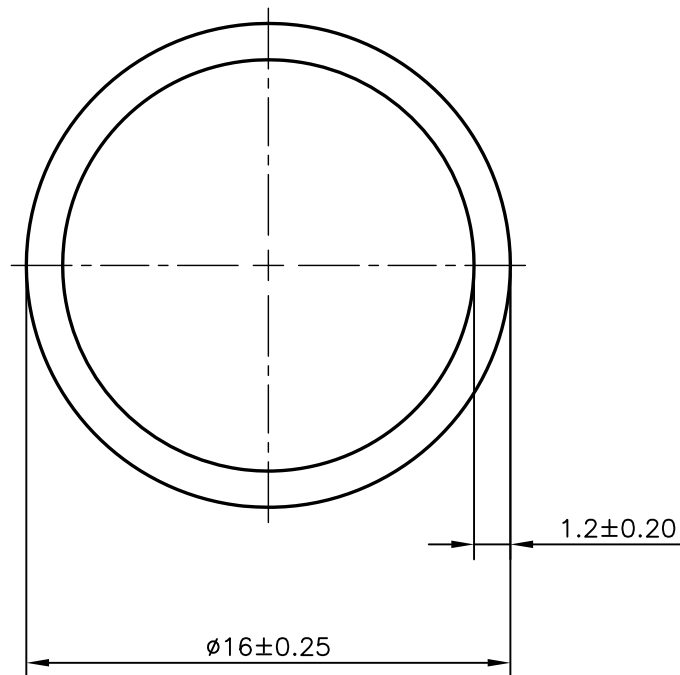


P-12897

X1686



1:1



SYMBOL OF QUALITY
AN ISO 9001 COMPANY

JINDAL ALUMINIUM LTD.
BANGALORE-560073 (INDIA)

	NAME	DATE
DRAWN	J.P.KAUSHIK	11-07-2013
CHECKED		
APPROVED	S.S.GARG	20-07-2013
SCALE		4:1
AREA mm ²		55.795
PERIMETER mm.		50.265
WEIGHT kg/m		0.151
DRAWING No.		SECTION No.
P-12897		-
X1686		X1686

1. ALL DIMENSIONS ARE IN mm.
2. ROUND OFF ALL SHARP CORNERS WITH 0.40 mm.
3. TOLERANCES WILL BE AS PER BS:EN-755-9 , UNLESS OTHERWISE SPECIFIED

PARTY'S NAME	PAYNES WHOLESALERS LTD, NEW ZEALAND
PARTY'S DRAWING No.	AS PER SPECIFICATION
ALLOY & TEMPER	6060 T5
DESCRIPTION	ROUND TUBE