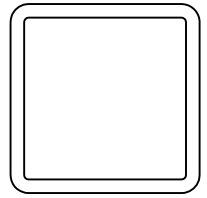
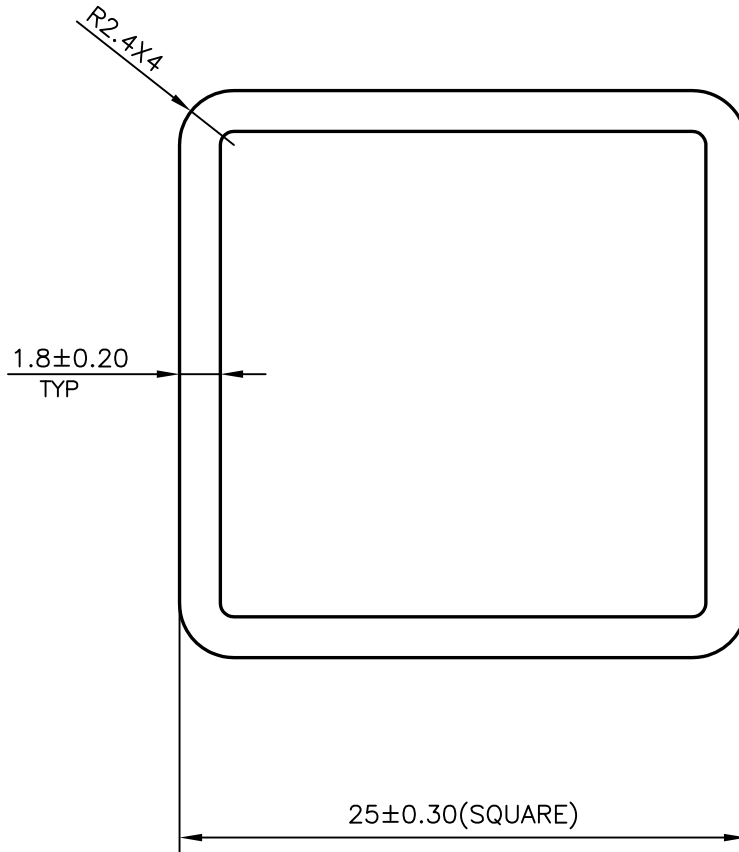


P-12898-1

X1687



1:1



SYMBOL OF QUALITY  
AN ISO 9001 COMPANY

**JINDAL ALUMINIUM LTD.**  
BANGALORE-560073 (INDIA)

	NAME	DATE
DRAWN	J.P.KAUSHIK	15-07-2013
CHECKED		
APPROVED	S.S.GARG	20-07-2013
SCALE		3:1
AREA mm <sup>2</sup>		162.405
PERIMETER mm.		95.88
WEIGHT kg/m		0.438
DRAWING No.		SECTION No.
P-12898-1		-
X1687		X1687

1. ALL DIMENSIONS ARE IN mm.
2. ROUND OFF ALL SHARP CORNERS WITH 0.60 mm.
3. TOLERANCES WILL BE AS PER BS:EN-755-9 , UNLESS OTHERWISE SPECIFIED

PARTY'S NAME	PAYNES WHOLESALERS LTD, NEW ZEALAND
PARTY'S DRAWING No.	AS PER SPECIFICATION
ALLOY & TEMPER	6060 T5
DESCRIPTION	SQUARE TUBE WITH CORNER RADII