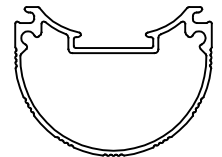
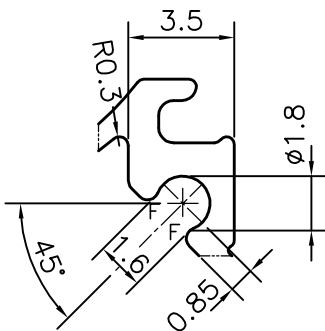
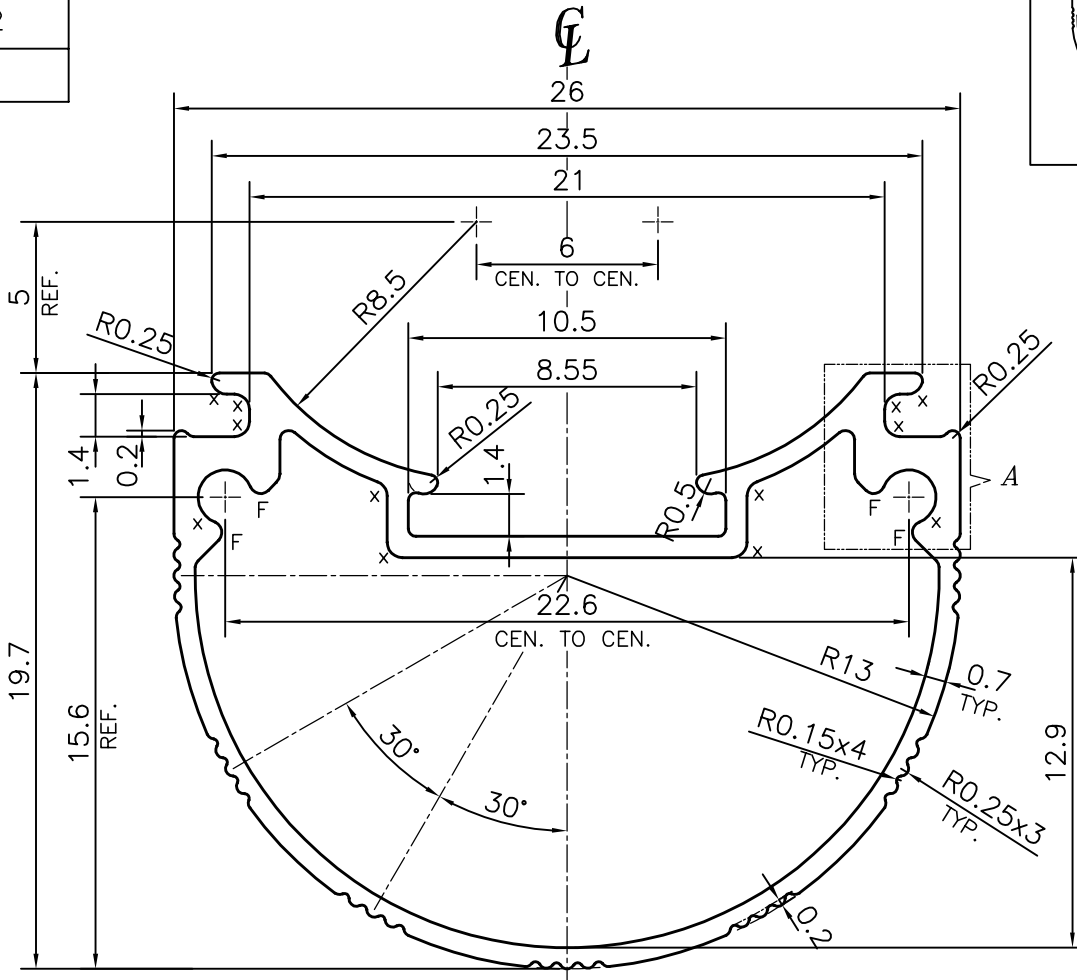


P-13028

X1692



SCALE: - 1:1



DETAIL OF "A"  
SCALE 4:1

ISSUE-2 :-

- ➡ DRAWING MODIFIED AS PER CUSTOMER'S REQUIREMENT.
- ➡ WEIGHT ALSO CHANGED FROM 0.179 TO 0.183 Kg/M

X = RADIUS 0.5 mm. (12 PLACES)  
F = FULL RADIUS (4 PLACES)

TOLERANCES ON OVERALL WIDTHS & WIDTHS ACROSS FLATS OF BARS, & REGULAR SECTIONS

UPTO 6.40mm - ±0.20	UPTO 32.0mm - ±0.38	UPTO 120.0mm - ±0.85	1. STRAIGHTNESS=1.7mm/M 2. TWIST=1.7mm/M 3. ANGULARITY= ±2° 4. FLATNESS =0.007xWIDTH
UPTO 10.0mm - ±0.23	UPTO 50.0mm - ±0.46	UPTO 160.0mm - ±1.02	
UPTO 12.0mm - ±0.25	UPTO 60.0mm - ±0.53	UPTO 200.0mm - ±1.14	
UPTO 16.0mm - ±0.28	UPTO 80.0mm - ±0.69	UPTO 250.0mm - ±1.40	
UPTO 25.0mm - ±0.30	UPTO 100.0mm - ±0.75	UPTO 300.0mm - ±1.65	



SYMBOL OF QUALITY  
AN ISO 9001 COMPANY

**JINDAL ALUMINIUM LTD.**  
BANGALORE-560073 (INDIA)

	NAME	DATE
DRAWN	PARVESH	02-06-2014
CHECKED		
APPROVED	S.S.GARG	04-06-2014
SCALE		4:1
AREA mm <sup>2</sup>		67.694
PERIMETER mm.		97.243
WEIGHT kg/m		0.183
DRAWING No.	SECTION No.	
P-13028	-	
X1692	X1692(ISSUE-2)	

1. ALL DIMENSIONS ARE IN mm.
2. ROUND OFF ALL SHARP CORNERS WITH 0.25 mm.
3. TOLERANCES WILL BE AS PER IS:6477-1983 , UNLESS OTHERWISE SPECIFIED

PARTY'S NAME	SEMTRONICS MICRO SYSTEMS PVT. LTD., BANGALORE
PARTY'S DRAWING No.	600001
ALLOY & TEMPER	63400 WP
DESCRIPTION	TUBE LIGHT SECTION