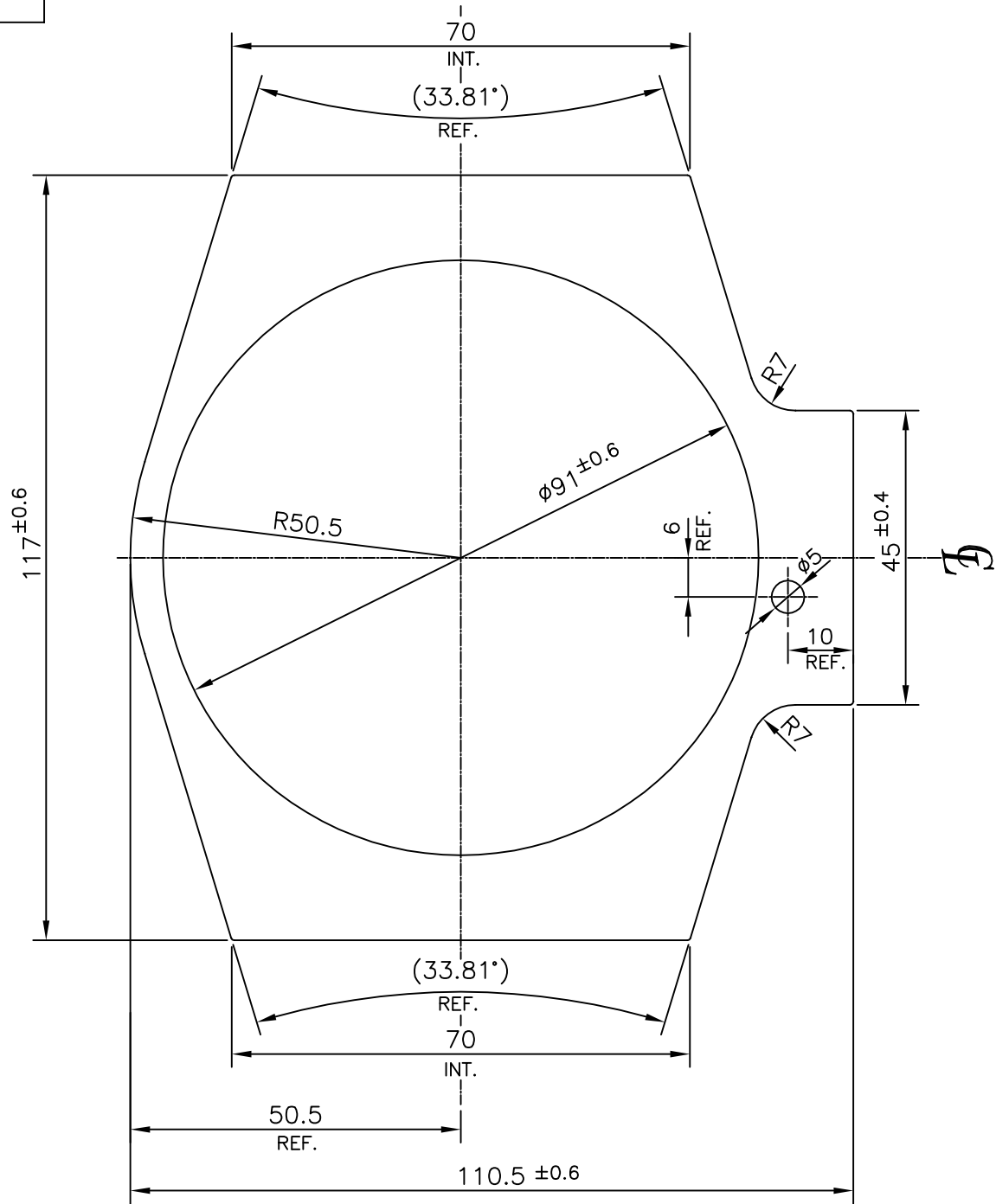


P-13477-1

X1759



SYMBOL OF QUALITY
AN ISO 9001 COMPANY

JINDAL ALUMINIUM LTD.
BANGALORE-560073 (INDIA)

	NAME	DATE
DRAWN	PARVESH	26-03-2014
CHECKED		
APPROVED	S.S.GARG	18-04-2014

1. ALL DIMENSIONS ARE IN mm.
2. ROUND OFF ALL SHARP CORNERS WITH 0.50 mm.
3. TOLERANCES WILL BE AS PER BS:EN-12020-2 , UNLESS OTHERWISE SPECIFIED

SCALE	1:1
AREA mm ²	4212.899
PERIMETER mm.	406.02
WEIGHT kg/m	11.375

PARTY'S NAME G.T. ATTUATORI, ITALY

DRAWING No. SECTION No.

PARTY'S DRAWING No. 29-0124

P-13477-1 -

ALLOY & TEMPER 6063 T6

X1759 X1759

DESCRIPTION ACTUATOR BODY SECTION