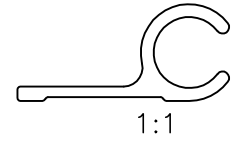
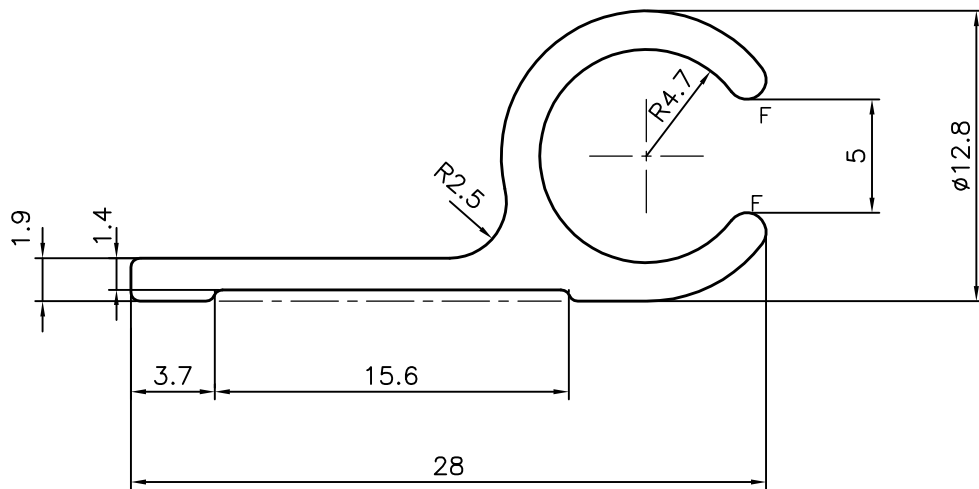


P-13668

X1770



1:1



F = FULL RADIUS (2 PLACES)



SYMBOL OF QUALITY
AN ISO 9001 COMPANY

JINDAL ALUMINIUM LTD.
BANGALORE-560073 (INDIA)

	NAME	DATE
DRAWN	J.P.KAUSHIK	20-06-2014
CHECKED		
APPROVED	J.N.RAI	05-07-2014

1. ALL DIMENSIONS ARE IN mm.
2. ROUND OFF ALL SHARP CORNERS WITH 0.40 mm.
3. TOLERANCES WILL BE AS PER,BS:EN-755-9 UNLESS OTHERWISE SPECIFIED

SCALE	3:1
AREA mm ²	81.542
PERIMETER mm.	95.055
WEIGHT kg/m	0.220

PARTY'S NAME	ULLRICH ALUMINIUM, AUSTRALIA	DRAWING No.	P-13668	SECTION No.	-
PARTY'S DRAWING No.	7UA1608		X1770		X1770
ALLOY & TEMPER	6060 T5				
DESCRIPTION	MISC. SECTION				