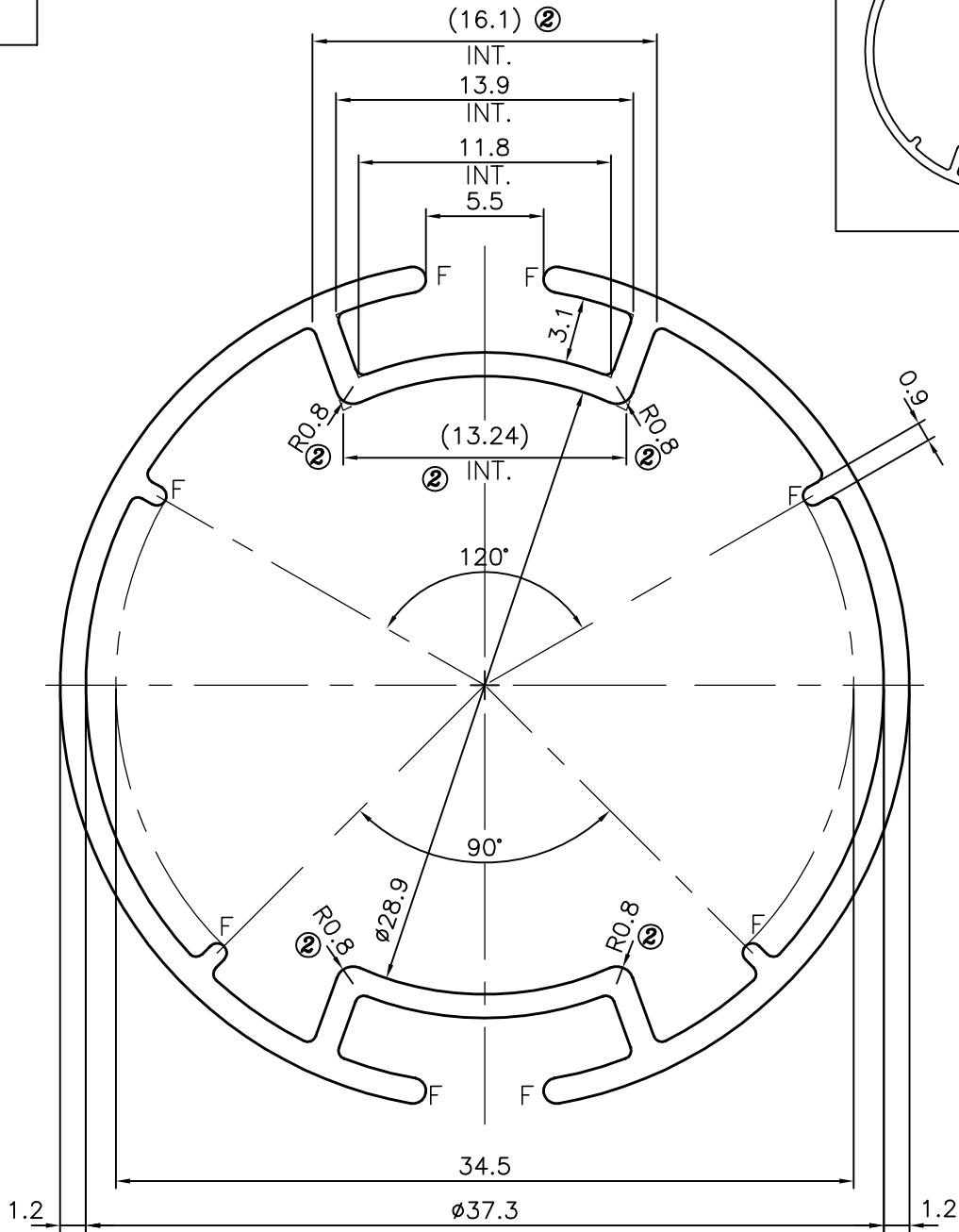
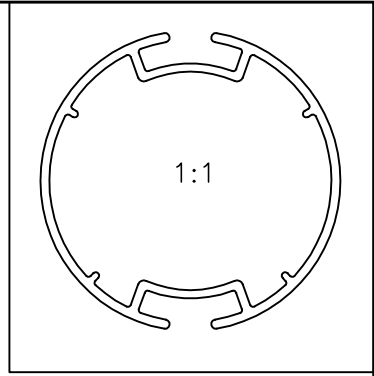



P-13909-1

X1780



ISSUE (3) :-
RADIUS CHANGED FROM 0.4 TO 0.8 mm.
REF. DIMENSION ADDED 13.24 & 16.1

F = FULL RADIUS(8 PLACES)

 SYMBOL OF QUALITY AN ISO 9001 COMPANY	JINDAL ALUMINIUM LTD. BANGALORE-560073 (INDIA)	NAME	DATE
		DRAWN	J.P.KAUSHIK
		CHECKED	
		APPROVED	S.S.GARG
		SCALE	3:1
		AREA mm ²	182.025
		PERIMETER mm.	169.044
		WEIGHT kg/m	0.491
PARTY'S NAME	LOUVERLINE BLINDS, BANGALORE	DRAWING No.	SECTION No.
PARTY'S DRAWING No.	AS PER DRAWING & REQUIREMENT	P-13909-1	-
ALLOY & TEMPER	HE9 WP	X1780	X1780(ISSUE-3)
DESCRIPTION	VENETION BLIND SECTION		