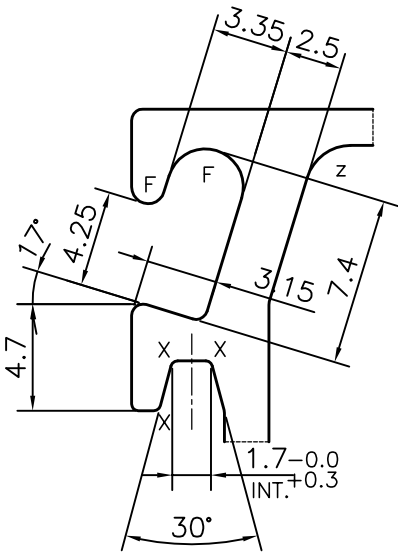
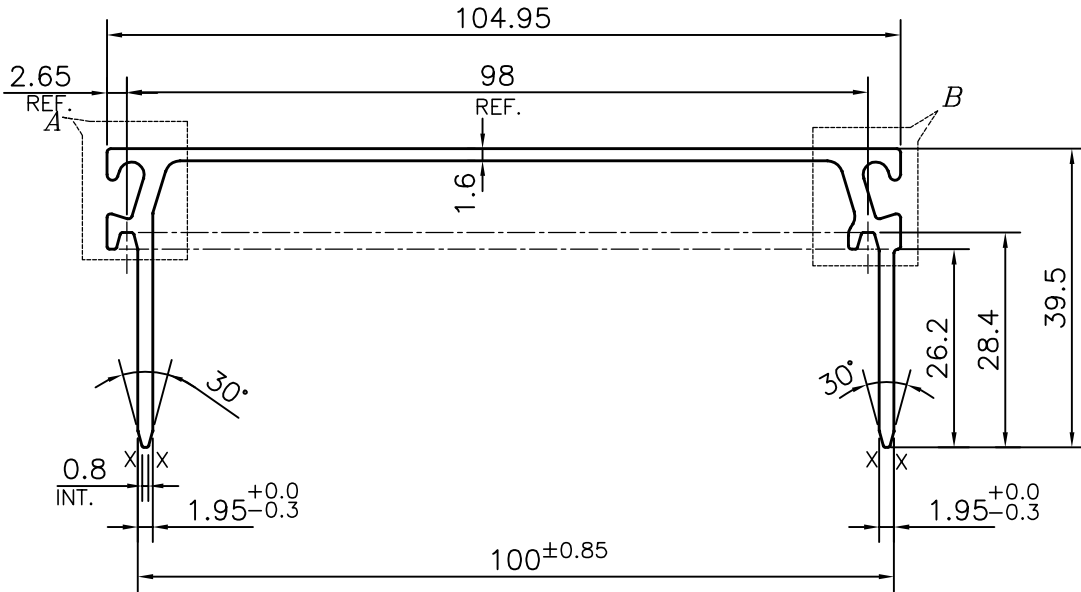
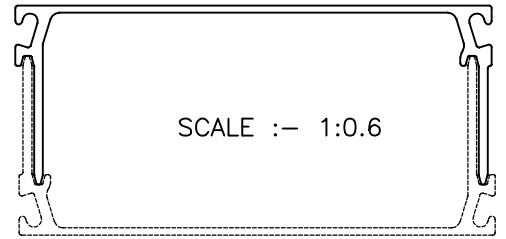
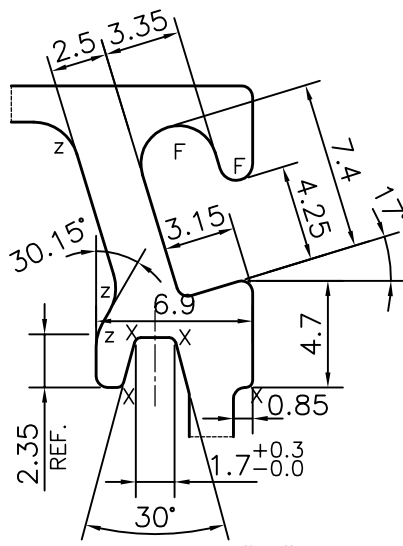


P-14012-3

X1805



DETAIL OF "A"
SCALE 3:1



DETAIL OF "B"
SCALE 3:1

F = FULL RADIUS (4 PLACES)
X = RADIUS 0.3 mm. (11 PLACES)
Z = RADIUS 2 mm. (4 PLACES)



SYMBOL OF QUALITY
AN ISO 9001 COMPANY

JINDAL ALUMINIUM LTD.
BANGALORE-560073 (INDIA)

	NAME	DATE
DRAWN	PARVESH	28-10-2014
CHECKED		
APPROVED	S.S.CARG	31-10-2014
SCALE		1:1
AREA mm ²		364.287
PERIMETER mm.		387.226
WEIGHT kg/m		0.984
DRAWING No.	SECTION No.	
P-14012-3	-	
X1805	X1805	

- ALL DIMENSIONS ARE IN mm.
- ROUND OFF ALL SHARP CORNERS WITH 0.50 mm.
- TOLERANCES WILL BE AS PER ANSI:H35.2-2009 , UNLESS OTHERWISE SPECIFIED

PARTY'S NAME	WHITE DISTRIBUTOR LLC, USA
PARTY'S DRAWING No.	AS PER AUTOCAD DRAWING
ALLOY & TEMPER	6005 T6
DESCRIPTION	MISC. SECTION-4" AEROSPACE