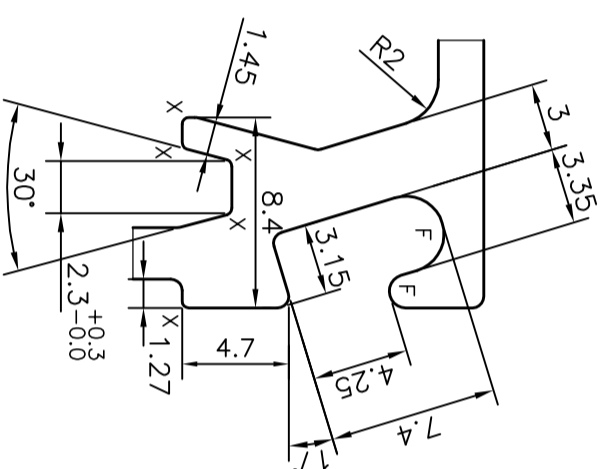


DETAIL OF "A"
SCALE 3:1



DETAIL OF "B"
SCALE 3:1

F = FULL RADIUS (4 PLACES)
X = RADIUS 0.3 mm. (12 PLACES)

<p>JINDAL SYMBOL OF QUALITY AN ISO 9001 COMPANY</p>		<p>JINDAL ALUMINIUM LTD. BANGALORE-560073 (INDIA)</p>	
<p>1. ALL DIMENSIONS ARE IN mm. 2. ROUND OFF ALL SHARP CORNERS WITH 0.50 mm. 3. TOLERANCES WILL BE AS PER ANSI:H35.2-2009 , UNLESS OTHERWISE SPECIFIED</p>			
PARTY'S NAME		WHITE DISTRIBUTOR LLC, USA	
PARTY'S DRAWING No.		AS PER AUTOCAD DRAWING	
ALLOY & TEMPER		6005 T6	
DESCRIPTION		MISC. SECTION-6" AEROSPACE	
DRAWN	NAME	DATE	
CHECKED	PARVESH	28-10-2014	
APPROVED	S.S.GARG	31-10-2014	
SCALE		1:1	
AREA mm ²		545.889	
PERIMETER mm.		501.028	
WEIGHT kg/m		1.474	
DRAWING No.		SECTION No.	
P-14014-3		-	
X1807		X1807	