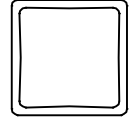
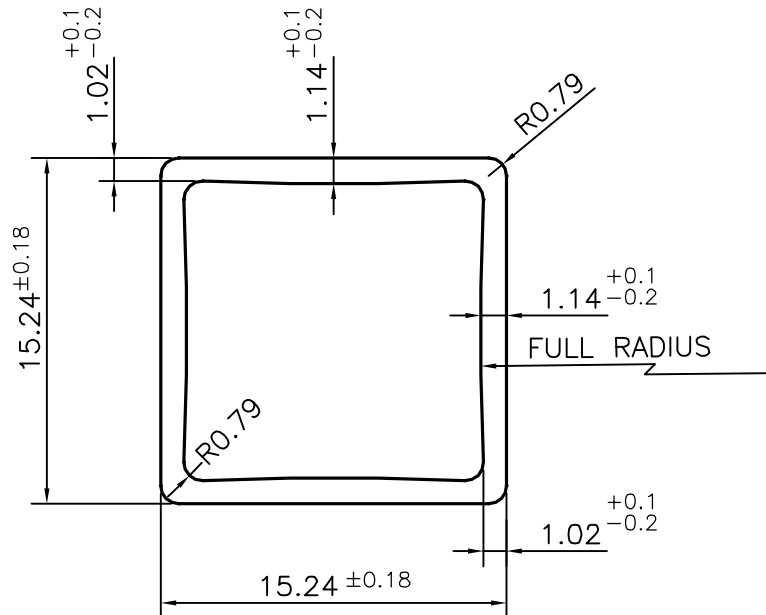


P-14079-3

X1813



SCALE:- 1:1

**NOTE:-**

☞ FOR DISPATCH 164 TO 180 PIECES (AVERAGE) IN 100 kg.  
(25-02-2015)



SYMBOL OF QUALITY  
AN ISO 9001 COMPANY

**JINDAL ALUMINIUM LTD.**  
BANGALORE-560073 (INDIA)

	NAME	DATE
DRAWN	PARVESH	07-11-2014
CHECKED		
APPROVED	S.S.GARG	15-11-2014
SCALE		3:1
AREA mm <sup>2</sup>		61.726
PERIMETER mm.		59.604
WEIGHT kg/m		0.167
DRAWING No.	SECTION No.	
P-14079-3	-	
X1813	X1813	

1. ALL DIMENSIONS ARE IN mm.
2. ROUND OFF ALL SHARP CORNERS WITH 0.79 mm.
3. TOLERANCES WILL BE AS PER BS:EN-755-9 , UNLESS OTHERWISE SPECIFIED

PARTY'S NAME	SINOPEC RESOURCES LLC, USA
PARTY'S DRAWING No.	AS PER AUTOCAD DRAWING-40104
ALLOY & TEMPER	6063 T52
DESCRIPTION	MISC. SQUARE TUBE