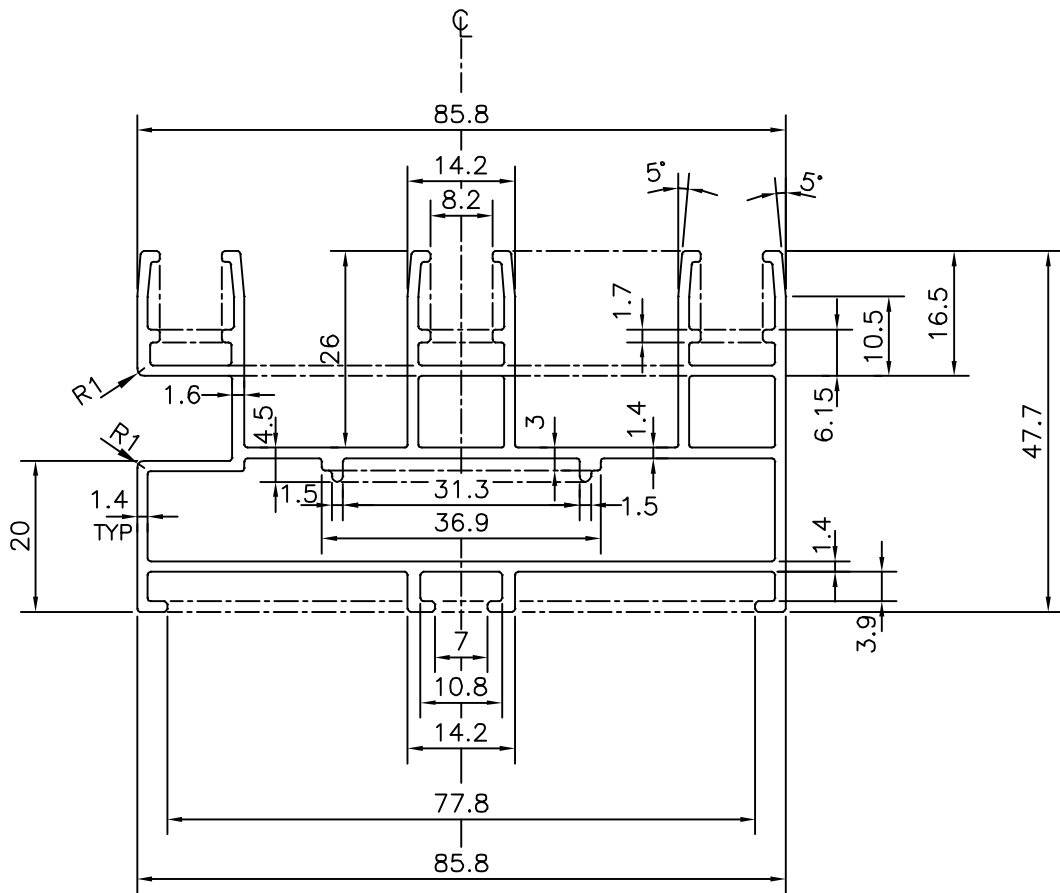


P-14348-1

X1849



SYMBOL OF QUALITY
AN ISO 9001 COMPANY

JINDAL ALUMINIUM LTD.
BANGALORE-560073 (INDIA)

| | NAME | DATE |
|----------------------|-------------|------------|
| DRAWN | J.P.KAUSHIK | 04-02-2015 |
| CHECKED | | |
| APPROVED | S.S.GARG | 06-02-2015 |
| SCALE | | 1:1 |
| AREA mm ² | | 619.872 |
| PERIMETER mm. | | 553.896 |
| WEIGHT kg/m | | 1.674 |
| DRAWING No. | SECTION No. | |
| P-14348-1 | - | |
| X1849 | X1849 | |
| | | |
| | | |

1. ALL DIMENSIONS ARE IN mm.
2. ROUND OFF ALL SHARP CORNERS WITH 0.40 mm.
3. TOLERANCES WILL BE AS PER IS:6477-1983 , UNLESS OTHERWISE SPECIFIED

| | |
|---------------------|-----------------------------------|
| PARTY'S NAME | LAXMI TRADING COMPNANY, AHMEDABAD |
| PARTY'S DRAWING No. | AS PER SAMPLE & REQUIREMENT |
| ALLOY & TEMPER | HE9 WP |
| DESCRIPTION | WINDOW SECTION |