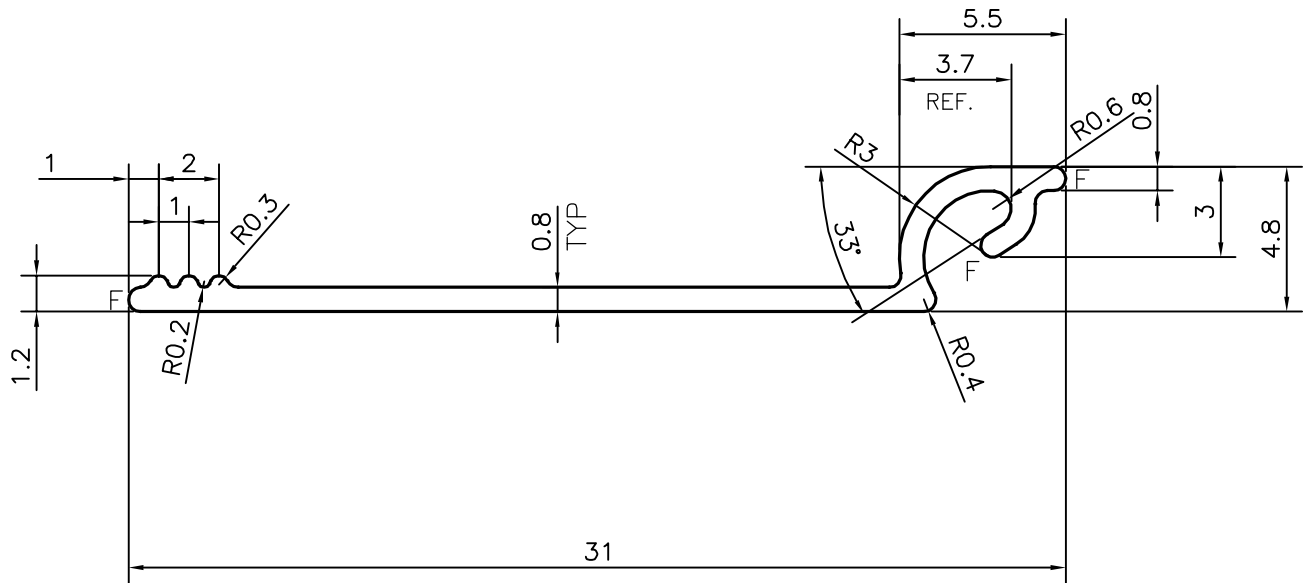
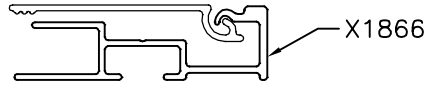
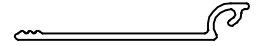


P-14573

X1865



F = FULL RADIUS(3 PLACES)



SYMBOL OF QUALITY
AN ISO 9001 COMPANY

JINDAL ALUMINIUM LTD.
BANGALORE-560073 (INDIA)

	NAME	DATE
DRAWN	J.P.KAUSHIK	20-04-2015
CHECKED		
APPROVED	S.S.GARG	23-04-2015
SCALE		4:1
AREA mm ²		30.155
PERIMETER mm.		74.496
WEIGHT kg/m		0.081
DRAWING No.	SECTION No.	
P-14573	-	
X1865	X1865	

1. ALL DIMENSIONS ARE IN mm.
2. ROUND OFF ALL SHARP CORNERS WITH 0.40 mm.
3. TOLERANCES WILL BE AS PER,IS:3965-1981 UNLESS OTHERWISE SPECIFIED

PARTY'S NAME	ALUMINIUM TRADING CO., DELHI
PARTY'S DRAWING No.	AS PER SAMPLE
ALLOY & TEMPER	HE9 WP
DESCRIPTION	MISC. SECTION