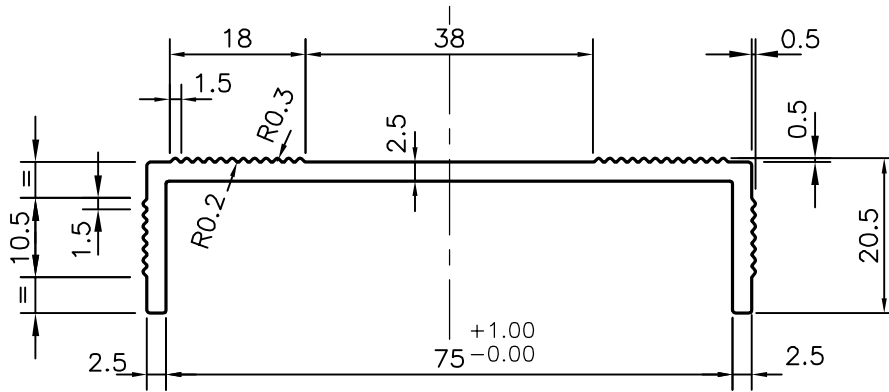
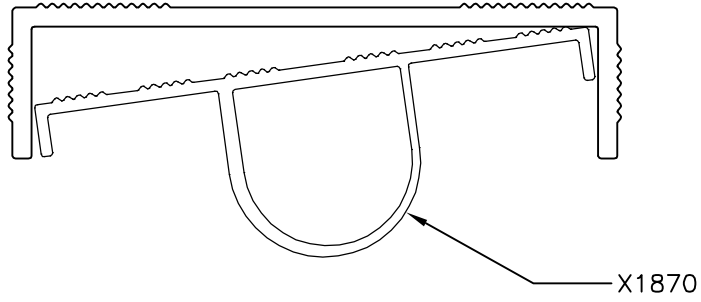


P-14603

X1871



SYMBOL OF QUALITY
AN ISO 9001 COMPANY

JINDAL ALUMINIUM LTD.
BANGALORE-560073 (INDIA)

	NAME	DATE
DRAWN	J.P.KAUSHIK	30-04-2015
CHECKED		
APPROVED	S.S.GARG	02-05-2015
SCALE		1:1
AREA mm ²		302.273
PERIMETER mm.		246.841
WEIGHT kg/m		0.816
DRAWING No.	SECTION No.	
P-14603	-	
X1871	X1871	

1. ALL DIMENSIONS ARE IN mm.
2. ROUND OFF ALL SHARP CORNERS WITH 0.40 mm.
3. TOLERANCES WILL BE AS PER IS:3965-1981 UNLESS OTHERWISE SPECIFIED

PARTY'S NAME	SRK LADDERS, PUTTUR
PARTY'S DRAWING No.	AS PER REQUIREMENT
ALLOY & TEMPER	HE9 WP
DESCRIPTION	LADDER SECTION