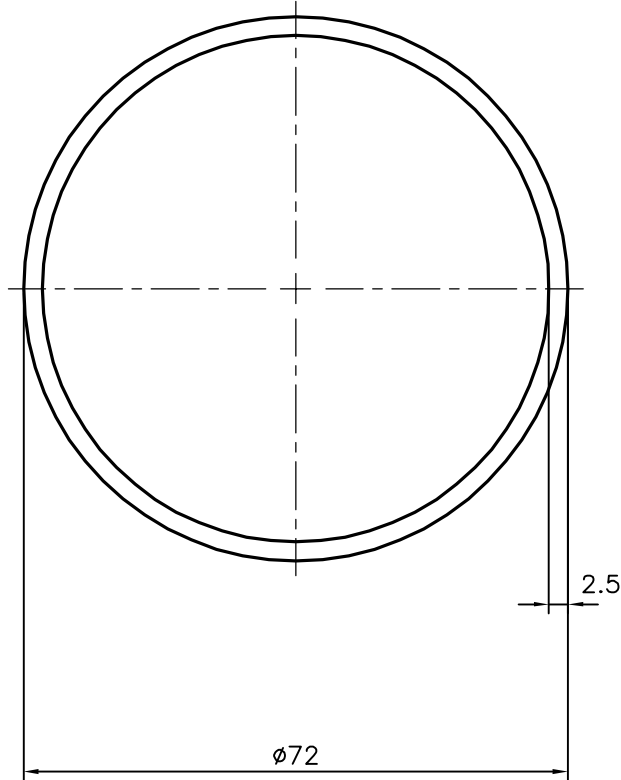


P-14639

X1877



SYMBOL OF QUALITY  
AN ISO 9001 COMPANY

**JINDAL ALUMINIUM LTD.**  
BANGALORE-560073 (INDIA)

	NAME	DATE
DRAWN	J.P.KAUSHIK	12-05-2015
CHECKED		
APPROVED	S.S.GARG	14-05-2015
SCALE		1:1
AREA mm <sup>2</sup>		545.852
PERIMETER mm.		226.195
WEIGHT kg/m		1.474
DRAWING No.		SECTION No.
P-14639		-
X1877		X1877

1. ALL DIMENSIONS ARE IN mm.
2. ROUND OFF ALL SHARP CORNERS WITH 0.4 mm.
3. TOLERANCES WILL BE AS PER IS:2673-2000 UNLESS OTHERWISE SPECIFIED

PARTY'S NAME	SRK LADDERS, PUTTUR
PARTY'S DRAWING No.	AS PER SKETCH
ALLOY & TEMPER	HE9 WP
DESCRIPTION	ROUND TUBE