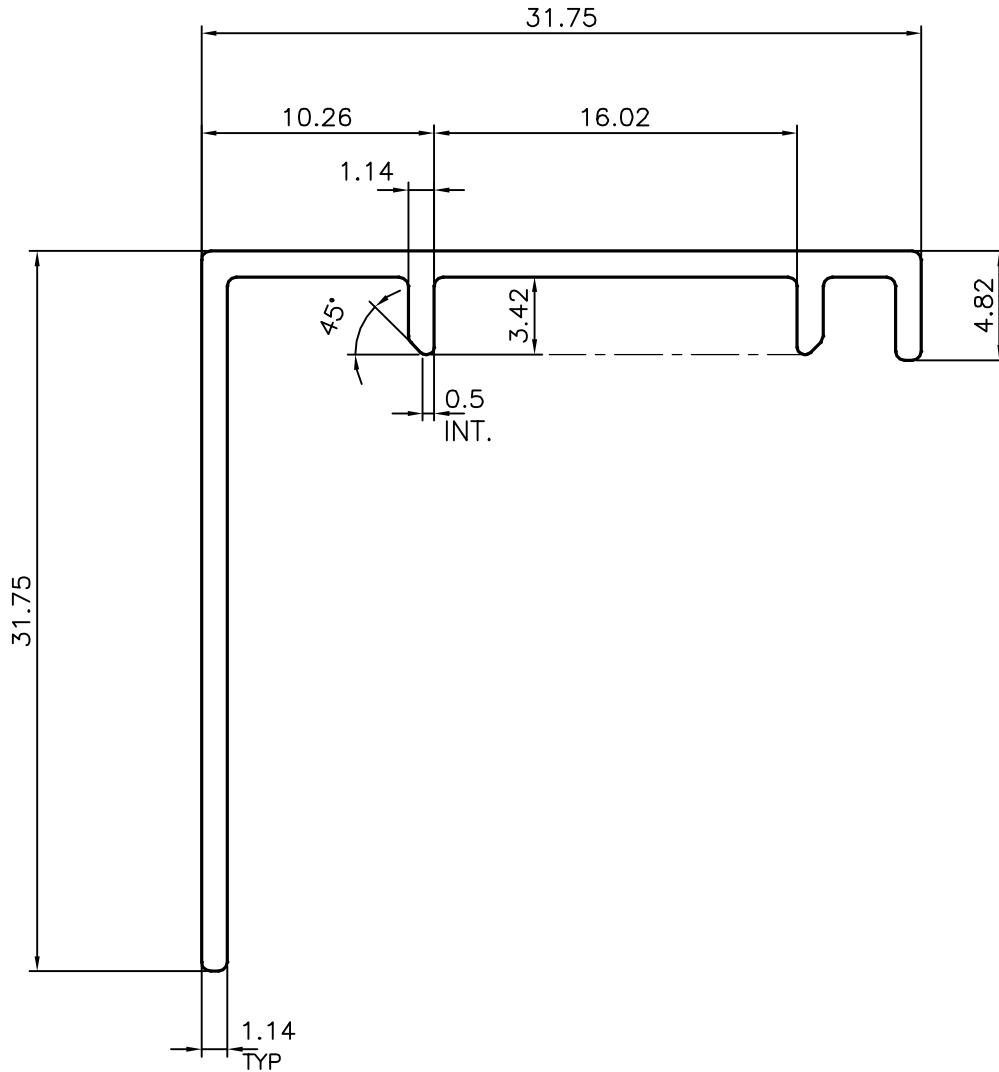


P-14758

X1904

EXPOSED SURFACE

1:1



SYMBOL OF QUALITY
AN ISO 9001 COMPANY

JINDAL ALUMINIUM LTD.
BANGALORE-560073 (INDIA)

	NAME	DATE
DRAWN	J.P.KAUSHIK	13-06-2015
CHECKED		
APPROVED	B.NATARAJA	15-07-2015
SCALE		3:1
AREA mm ²		82.624
PERIMETER mm.		144.912
WEIGHT kg/m		0.223
DRAWING No.	SECTION No.	

1. ALL DIMENSIONS ARE IN mm.
2. ROUND OFF ALL SHARP CORNERS WITH 0.40 mm.
3. TOLERANCES WILL BE AS PER BS:EN-755-9 UNLESS OTHERWISE SPECIFIED

PARTY'S NAME	BADER AL MULLA & BROS. CO. W.L.L, KUWAIT
PARTY'S DRAWING No.	4802
ALLOY & TEMPER	6060 T6
DESCRIPTION	AIR GRILL SECTION

P-14758	
X1904	X1904