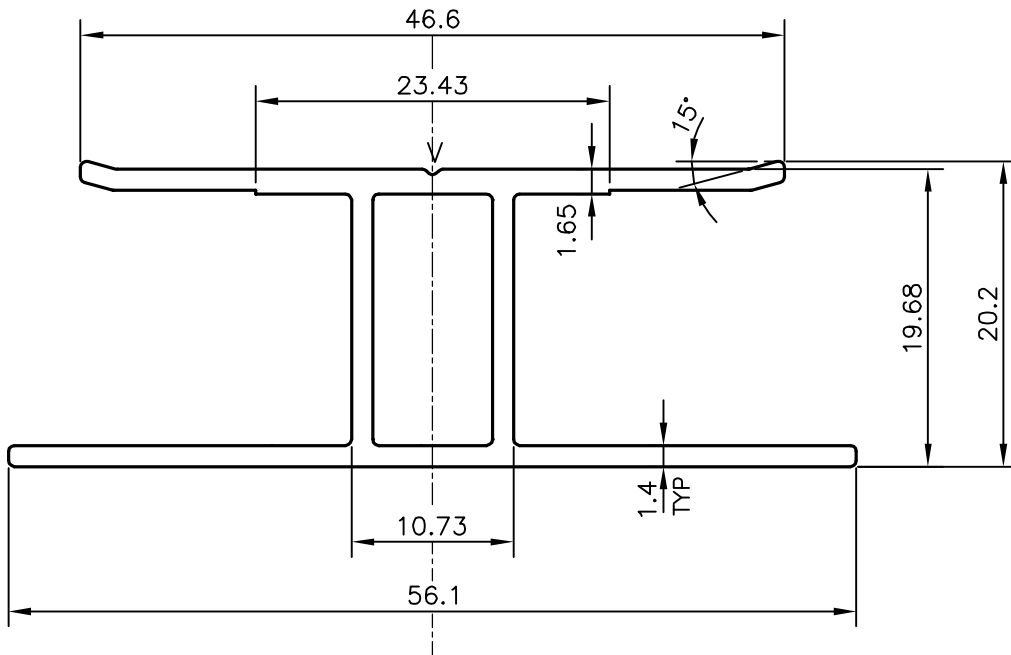
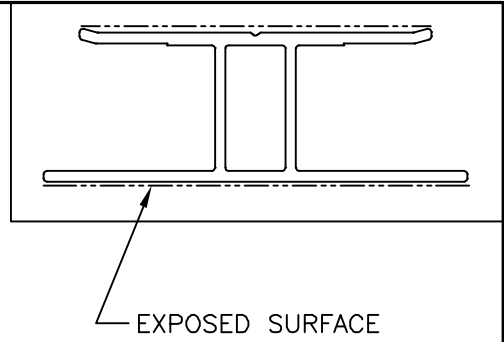


P-15354

X1944



V = V GROOVE 0.4x90°



SYMBOL OF QUALITY
AN ISO 9001 COMPANY

JINDAL ALUMINIUM LTD.
BANGALORE-560073 (INDIA)

	NAME	DATE
DRAWN	J.P.KAUSHIK	25-11-2015
CHECKED		
APPROVED	S.S.GARG	10-12-2015
SCALE		2:1
AREA mm ²		196.116
PERIMETER mm.		221.779
WEIGHT kg/m		0.530
DRAWING No.	SECTION No.	
P-15354	-	
X1944	X1944	

1. ALL DIMENSIONS ARE IN mm.
2. ROUND OFF ALL SHARP CORNERS WITH 0.40 mm.
3. TOLERANCES WILL BE AS PER BS:EN-755-9 , UNLESS OTHERWISE SPECIFIED

PARTY'S NAME	UNIVERSAL FABRICATING-CANADA
PARTY'S DRAWING No.	AS PER AutoCAD DRAWING ES-10335
ALLOY & TEMPER	6063 T6
DESCRIPTION	16 mm LARGE "H" SECTION