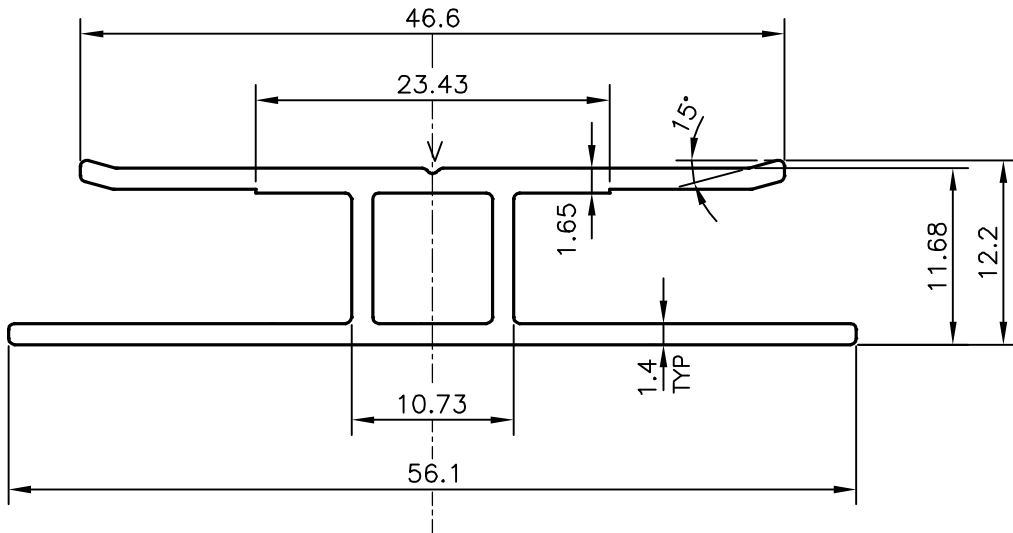
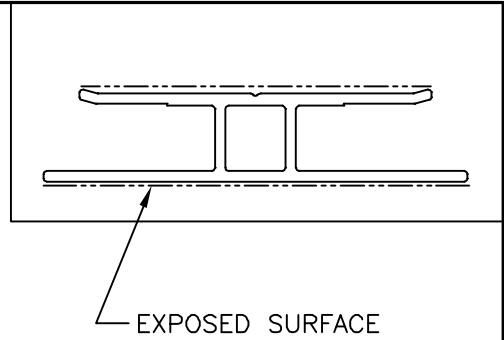


P-15357

X1947



V = V GROOVE 0.4x90°



SYMBOL OF QUALITY
AN ISO 9001 COMPANY

JINDAL ALUMINIUM LTD.
BANGALORE-560073 (INDIA)

	NAME	DATE
DRAWN	J.P.KAUSHIK	26-11-2015
CHECKED		
APPROVED	S.S.GARG	10-12-2015
SCALE		2:1
AREA mm ²		173.716
PERIMETER mm.		205.779
WEIGHT kg/m		0.469
DRAWING No.	SECTION No.	
P-15357	-	
X1947	X1947	

1. ALL DIMENSIONS ARE IN mm.
2. ROUND OFF ALL SHARP CORNERS WITH 0.40 mm.
3. TOLERANCES WILL BE AS PER BS:EN-755-9 , UNLESS OTHERWISE SPECIFIED

PARTY'S NAME	UNIVERSAL FABRICATING-CANADA
PARTY'S DRAWING No.	AS PER AutoCAD DRAWING ES-10338
ALLOY & TEMPER	6063 T6
DESCRIPTION	LARGE "H" SECTION