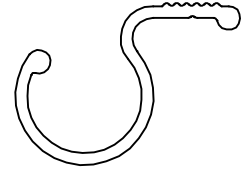


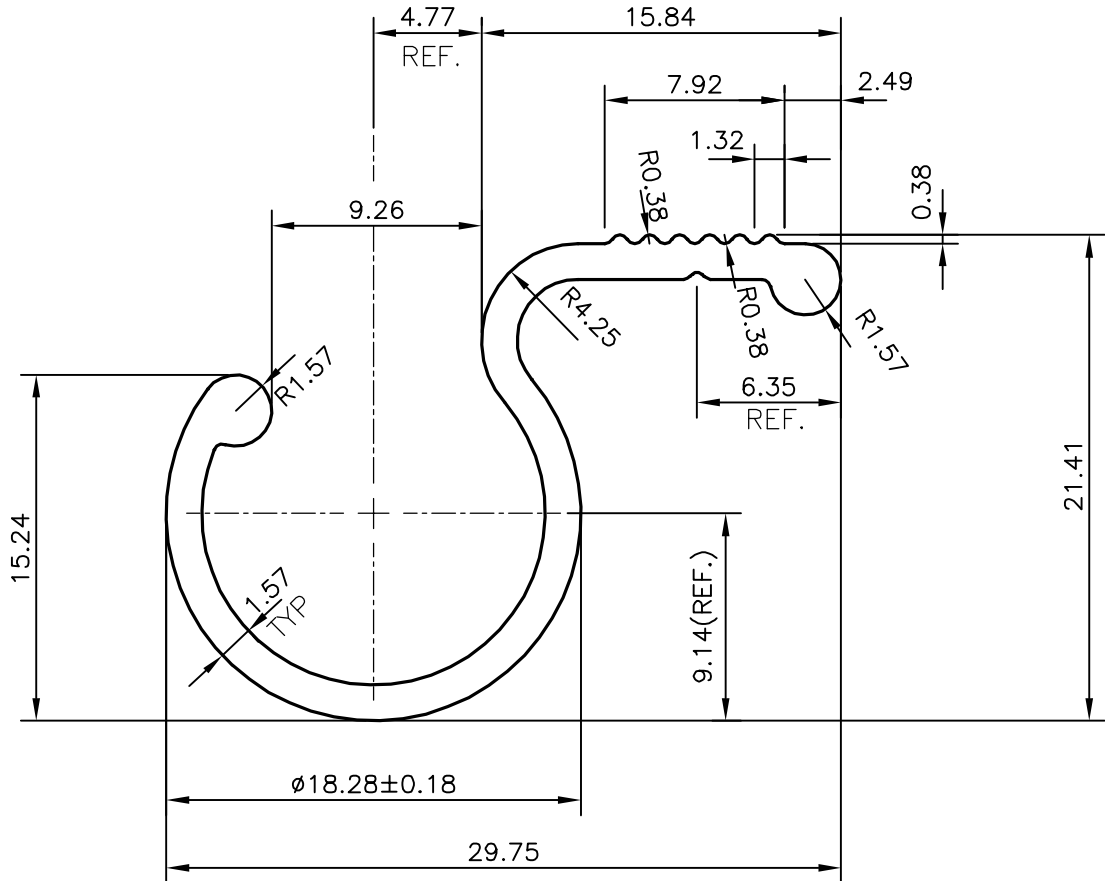
P-15361

X1951



1:1

NO EXPOSED SURFACE



SYMBOL OF QUALITY
AN ISO 9001 COMPANY

JINDAL ALUMINIUM LTD.
BANGALORE-560073 (INDIA)

	NAME	DATE
DRAWN	J.P.KAUSHIK	26-11-2015
CHECKED		
APPROVED	S.S.GARG	10-12-2015
SCALE		3:1
AREA mm ²		99.877
PERIMETER mm.		123.781
WEIGHT kg/m		0.270
DRAWING No.	SECTION No.	
P-15361	-	
X1951	X1951	

1. ALL DIMENSIONS ARE IN mm.
2. ROUND OFF ALL SHARP CORNERS WITH 0.40 mm.
3. TOLERANCES WILL BE AS PER BS:EN-755-9 , UNLESS OTHERWISE SPECIFIED

PARTY'S NAME	UNIVERSAL FABRICATING-CANADA
PARTY'S DRAWING No.	AS PER AutoCAD DRAWING S-6939
ALLOY & TEMPER	6063 T6
DESCRIPTION	CAM LOCK INSERT SECTION