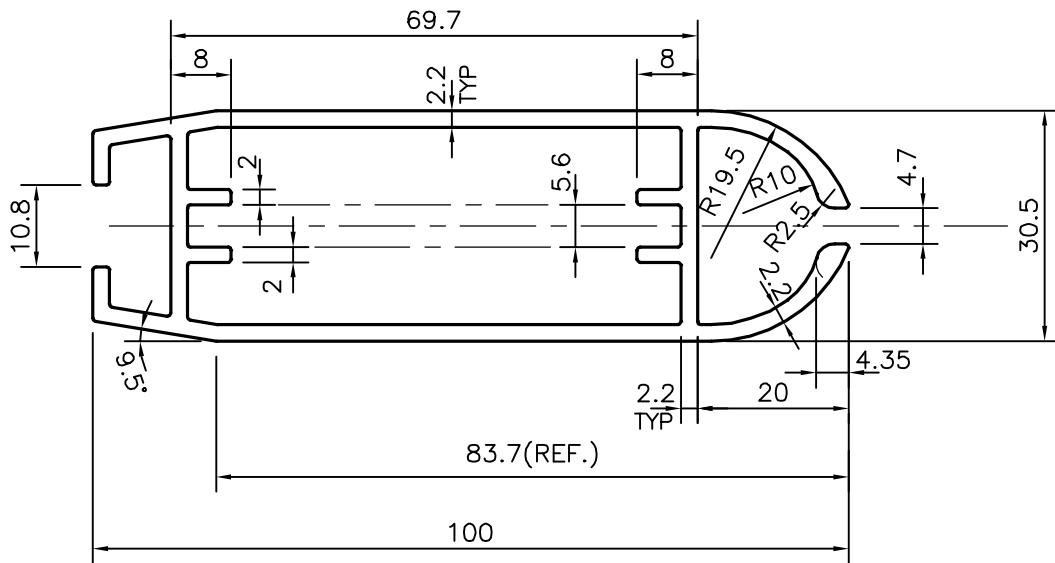


P-15502

X1959



SYMBOL OF QUALITY
AN ISO 9002 COMPANY

JINDAL ALUMINIUM LTD.
BANGALORE-560073 (INDIA)

	NAME	DATE
DRAWN	J.P.KAUSHIK	13-01-2016
CHECKED		
APPROVED	S.S.GARG	23-01-2016
SCALE		1:1
AREA mm ²		647.577
PERIMETER mm.		354.499
WEIGHT kg/m		1.748

1. ALL DIMENSIONS ARE IN mm.
2. ROUND OFF ALL SHARP CORNERS WITH 0.40 mm.
3. TOLERANCES WILL BE AS PER IS:6477-1983 UNLESS OTHERWISE SPECIFIED

PARTY'S NAME	ARIHANT ALUMINIUM CORPORATION, BANGALORE	DRAWING No.	P-15502	SECTION No.	-
PARTY'S DRAWING No.	AS PER SAMPLE		X1959		X1959
ALLOY & TEMPER	HE9 WP				
DESCRIPTION	MISC. SECTION				