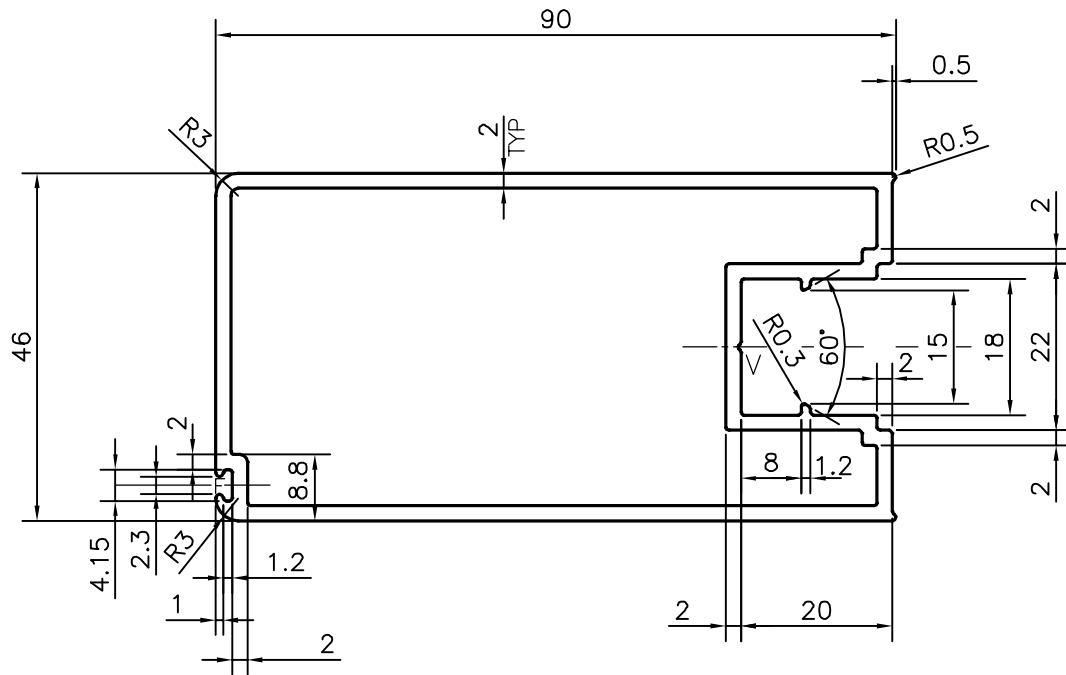
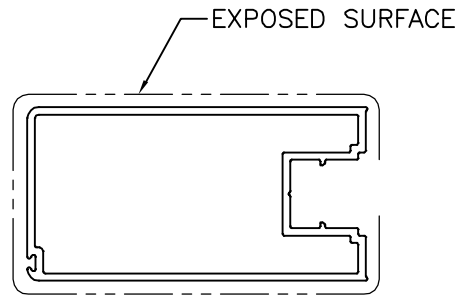


P-15539

X1964



V = V GROOVE 0.4x90°
 F = FULL RADIUS (2 PLACES)



SYMBOL OF QUALITY
 AN ISO 9001 COMPANY

JINDAL ALUMINIUM LTD.
 BANGALORE-560073 (INDIA)

| | NAME | DATE |
|----------------------|-------------|------------|
| DRAWN | J.P.KAUSHIK | 25-01-2016 |
| CHECKED | | |
| APPROVED | S.S.GARG | 01-02-2016 |
| SCALE | | 1:1 |
| AREA mm ² | | 613.723 |
| PERIMETER mm. | | 319.104 |
| WEIGHT kg/m | | 1.657 |
| DRAWING No. | SECTION No. | |
| P-15539 | - | |
| X1964 | X1964 | |
| | | |
| | | |

1. ALL DIMENSIONS ARE IN mm.
2. ROUND OFF ALL SHARP CORNERS WITH 0.40 mm.
3. TOLERANCES WILL BE AS PER,IS:6477-1983 UNLESS OTHERWISE SPECIFIED

| | |
|---------------------|-------------------------------------|
| PARTY'S NAME | HYTEK INTERIOR PRODUCTS., BANGALORE |
| PARTY'S DRAWING No. | AS PER AutoCAD DRAWING |
| ALLOY & TEMPER | HE9 WP |
| DESCRIPTION | MISC. SECTION |