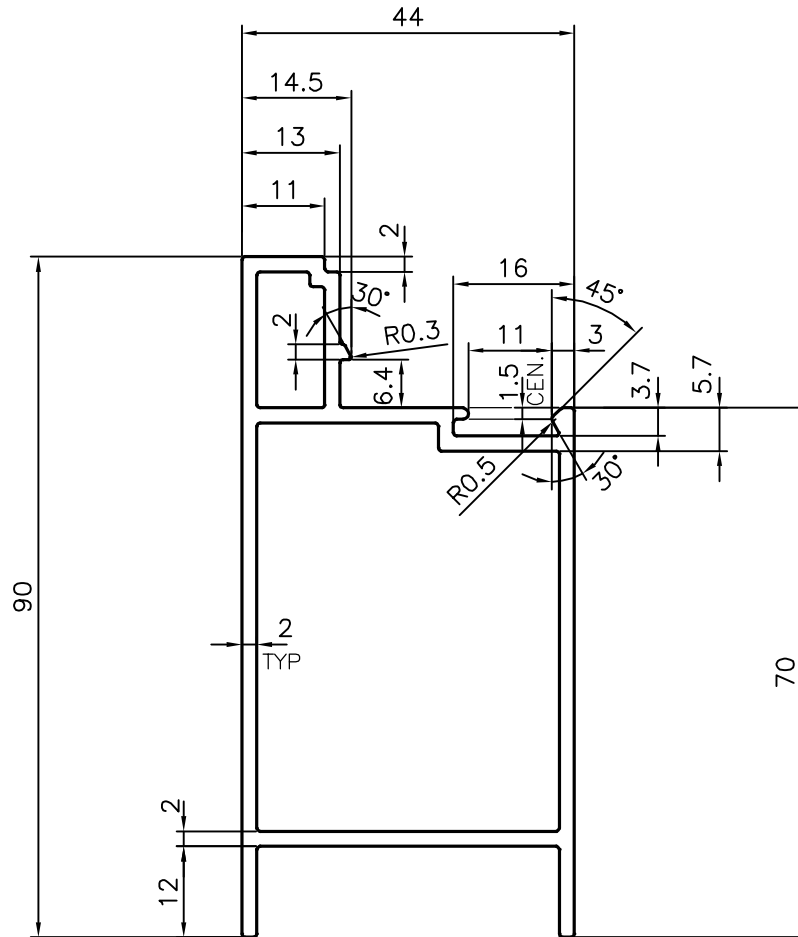


P-15540

X1965



SYMBOL OF QUALITY
AN ISO 9001 COMPANY

JINDAL ALUMINIUM LTD.
BANGALORE-560073 (INDIA)

| | NAME | DATE |
|----------------------|-------------|------------|
| DRAWN | J.P.KAUSHIK | 25-01-2016 |
| CHECKED | | |
| APPROVED | S.S.GARG | 01-02-2016 |
| SCALE | | 1:1 |
| AREA mm ² | | 552.32 |
| PERIMETER mm. | | 302.502 |
| WEIGHT kg/m | | 1.491 |
| DRAWING No. | SECTION No. | |
| P-15540 | - | |
| X1965 | X1965 | |
| | | |
| | | |

1. ALL DIMENSIONS ARE IN mm.
2. ROUND OFF ALL SHARP CORNERS WITH 0.40 mm.
3. TOLERANCES WILL BE AS PER, IS:6477-1983 UNLESS OTHERWISE SPECIFIED

| | |
|---------------------|-------------------------------------|
| PARTY'S NAME | HYTEK INTERIOR PRODUCTS., BANGALORE |
| PARTY'S DRAWING No. | AS PER AutoCAD DRAWING |
| ALLOY & TEMPER | HE9 WP |
| DESCRIPTION | MISC. SECTION |