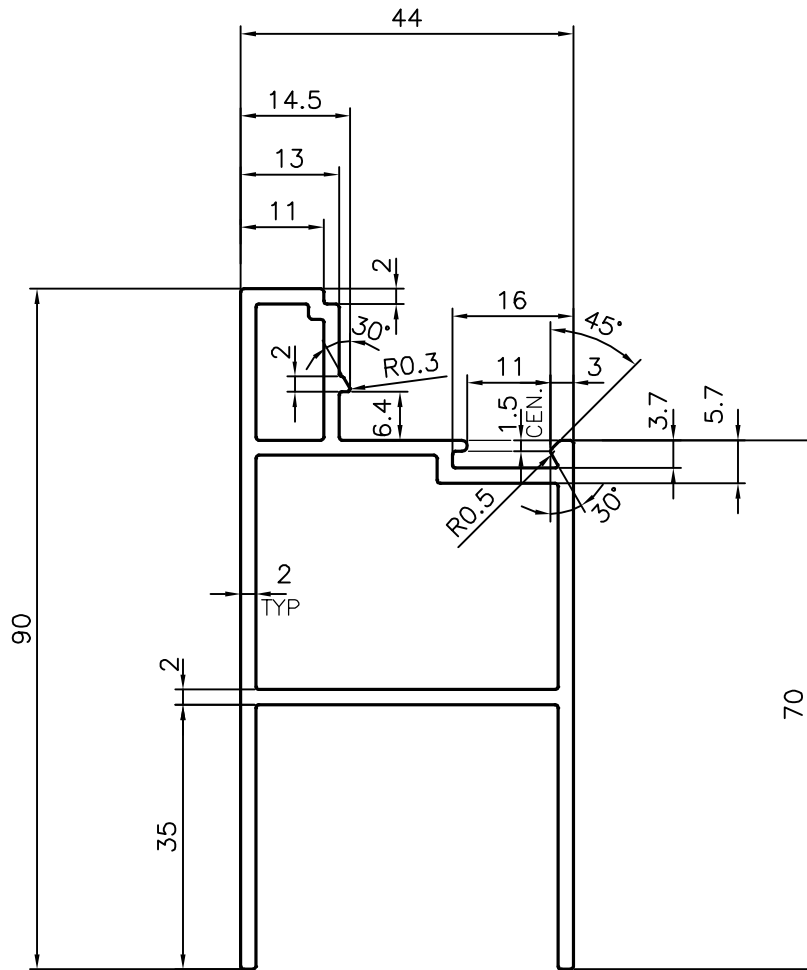


P-15541

X1966



SYMBOL OF QUALITY  
AN ISO 9001 COMPANY

**JINDAL ALUMINIUM LTD.**  
BANGALORE-560073 (INDIA)

|                      | NAME        | DATE       |
|----------------------|-------------|------------|
| DRAWN                | J.P.KAUSHIK | 25-01-2016 |
| CHECKED              |             |            |
| APPROVED             | S.S.GARG    | 01-02-2016 |
| SCALE                |             | 1:1        |
| AREA mm <sup>2</sup> |             | 552.32     |
| PERIMETER mm.        |             | 348.502    |
| WEIGHT kg/m          |             | 1.491      |
| DRAWING No.          | SECTION No. |            |
| P-15541              | -           |            |
| X1966                | X1966       |            |
|                      |             |            |
|                      |             |            |

1. ALL DIMENSIONS ARE IN mm.
2. ROUND OFF ALL SHARP CORNERS WITH 0.40 mm.
3. TOLERANCES WILL BE AS PER, IS:6477-1983 UNLESS OTHERWISE SPECIFIED

|                     |                                     |
|---------------------|-------------------------------------|
| PARTY'S NAME        | HYTEK INTERIOR PRODUCTS., BANGALORE |
| PARTY'S DRAWING No. | AS PER AutoCAD DRAWING              |
| ALLOY & TEMPER      | HE9 WP                              |
| DESCRIPTION         | MISC. SECTION                       |