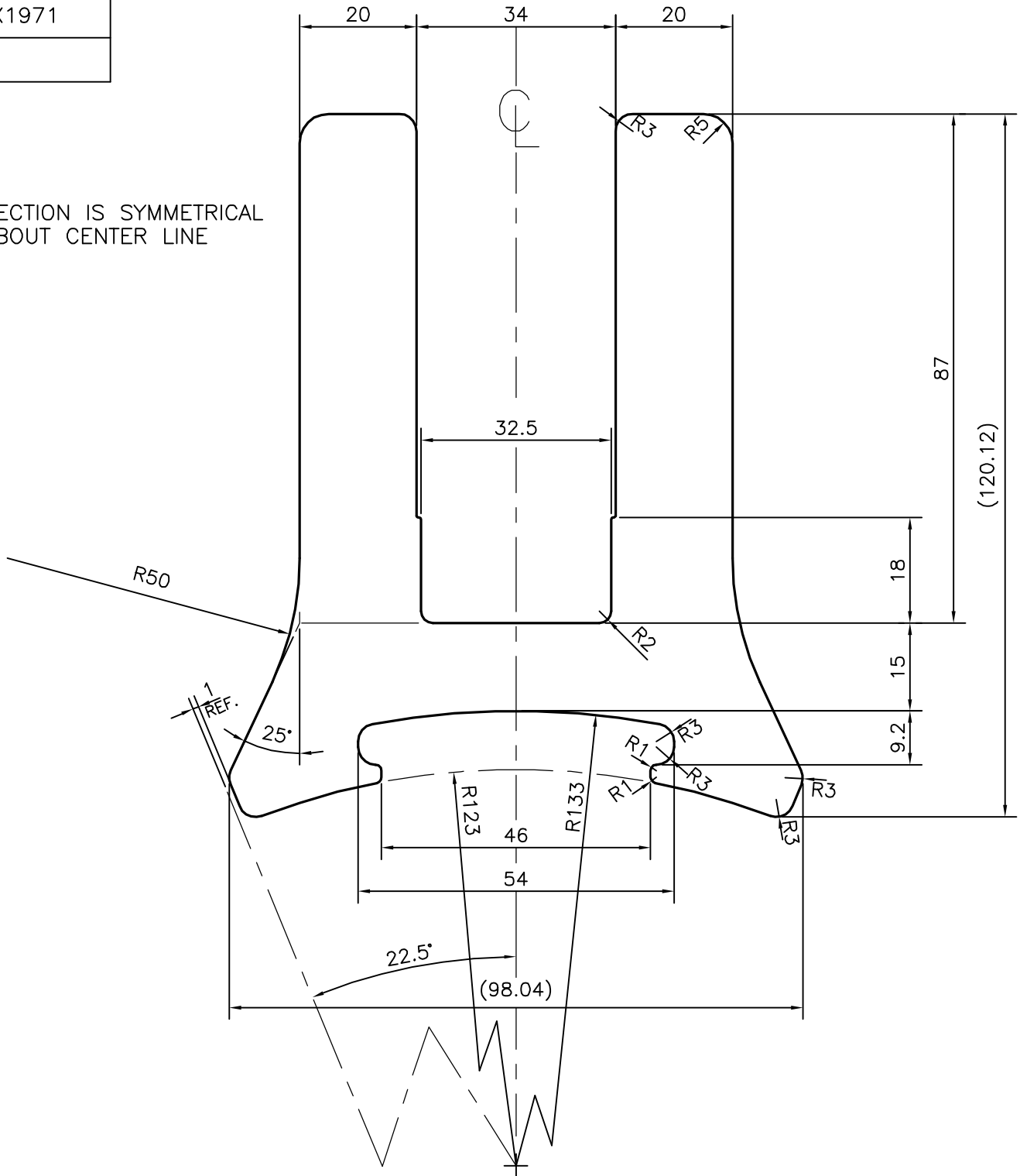


P-15644

X1971

SECTION IS SYMMETRICAL ABOUT CENTER LINE



SYMBOL OF QUALITY
AN ISO 9001 COMPANY

JINDAL ALUMINIUM LTD.
BANGALORE-560073 (INDIA)

	NAME	DATE
DRAWN	J.P.KAUSHIK	02-03-2016
CHECKED		
APPROVED	S.S.GARG	05-03-2016
SCALE		1:1
AREA mm ²		5441.56
PERIMETER mm.		608.035
WEIGHT kg/m		14.692
DRAWING No.	SECTION No.	
P-15644	-	
X1971	X1971	

1. ALL DIMENSIONS ARE IN mm.
2. ROUND OFF ALL SHARP CORNERS WITH 0.40 mm.
3. TOLERANCES WILL BE AS PER BS:EN-755-9 UNLESS OTHERWISE SPECIFIED

PARTY'S NAME	GOLDSPAR AUSTRALIA PTY LTD., AUSTRALIA
PARTY'S DRAWING No.	2366180 FOOT 267
ALLOY & TEMPER	6005 T5
DESCRIPTION	MISC. SECTION