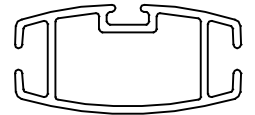
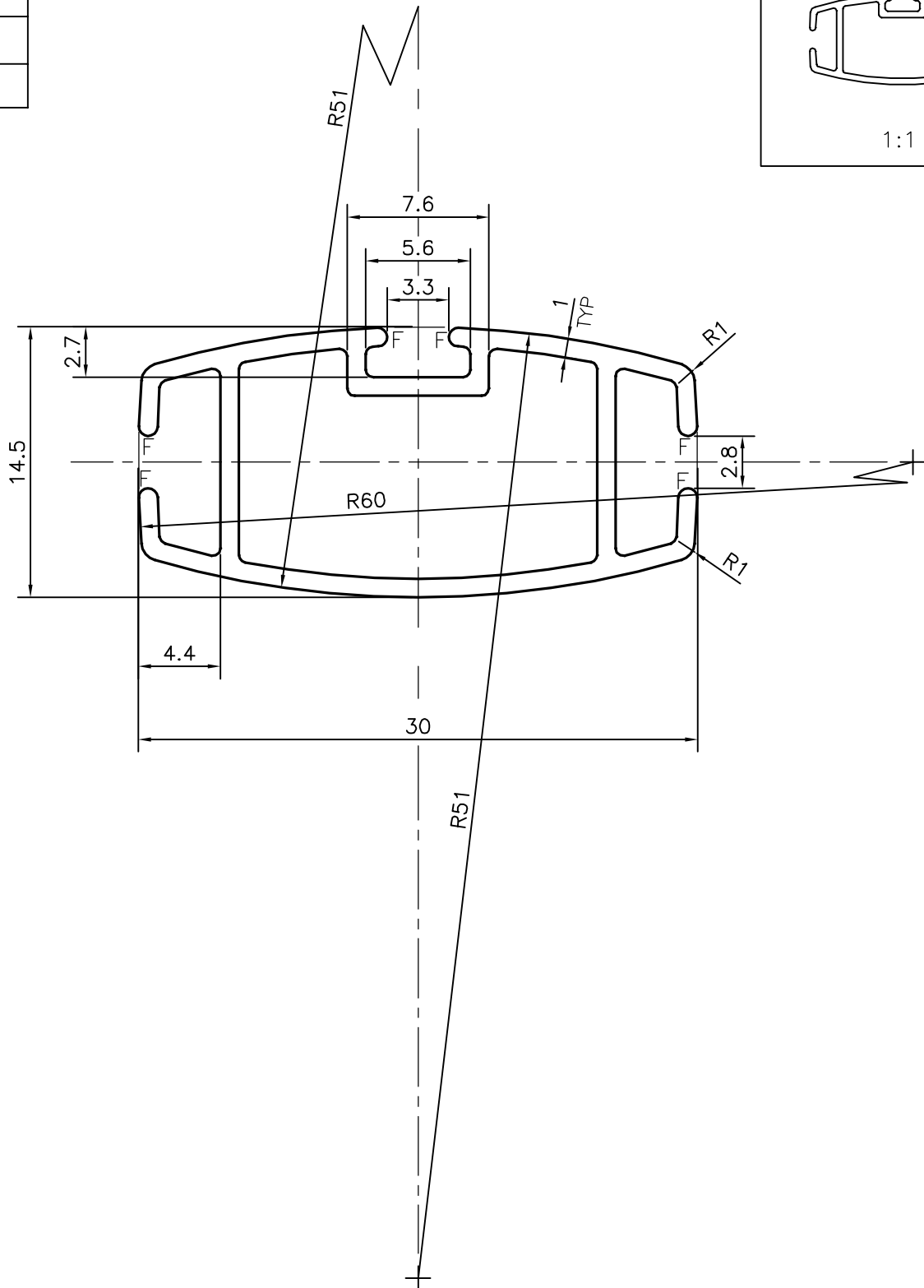


P-15536

X1973



1:1



F = FULL RADIUS (6 PLACES)



SYMBOL OF QUALITY
AN ISO 9001 COMPANY

JINDAL ALUMINIUM LTD.
BANGALORE-560073 (INDIA)

	NAME	DATE
DRAWN	J.P.KAUSHIK	25-01-2016
CHECKED		
APPROVED	S.S.GARG	22-03-2016
SCALE		3:1
AREA mm ²		99.067
PERIMETER mm.		128.626
WEIGHT kg/m		0.267
DRAWING No.	SECTION No.	
P-15536	-	
X1973	X1973	

1. ALL DIMENSIONS ARE IN mm.
2. ROUND OFF ALL SHARP CORNERS WITH 0.40 mm.
3. TOLERANCES WILL BE AS PER, IS:6477-1983 UNLESS OTHERWISE SPECIFIED

PARTY'S NAME	LOUVERLINE BLINDS, BANGALORE
PARTY'S DRAWING No.	AS PER SAMPLE
ALLOY & TEMPER	HE9 WP
DESCRIPTION	VENETIAN BLIND SECTION