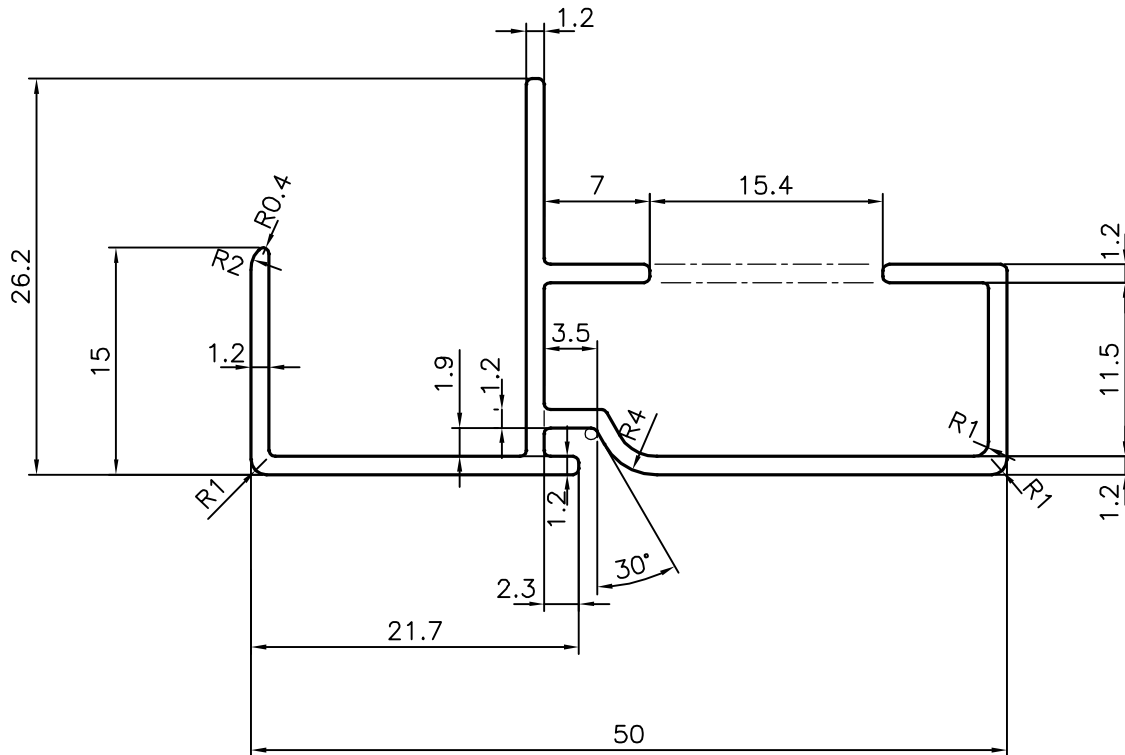
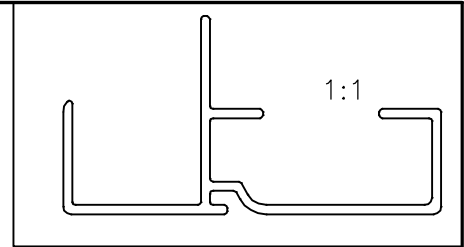
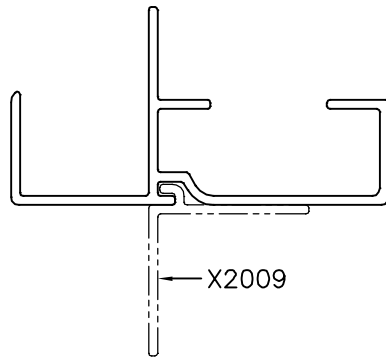


P-15819

X2010



SYMBOL OF QUALITY  
AN ISO 9001 COMPANY

**JINDAL ALUMINIUM LTD.**  
BANGALORE-560073 (INDIA)

	NAME	DATE
DRAWN	J.P.KAUSHIK	02-05-2016
CHECKED		
APPROVED	B. NATARAJ	06-05-2016
SCALE		2:1
AREA mm <sup>2</sup>		142.498
PERIMETER mm.		235.911
WEIGHT kg/m		0.385
DRAWING No.	SECTION No.	
P-15819	-	
X2010	X2010	

1. ALL DIMENSIONS ARE IN mm.
2. ROUND OFF ALL SHARP CORNERS WITH 0.40 mm.
3. TOLERANCES WILL BE AS PER BS:EN-755-9, UNLESS OTHERWISE SPECIFIED

PARTY'S NAME	L & D UNIT TRUST, AUSTRALIA
PARTY'S DRAWING No.	AS PER DRAWING
ALLOY & TEMPER	6063 T6
DESCRIPTION	MISC. SECTION