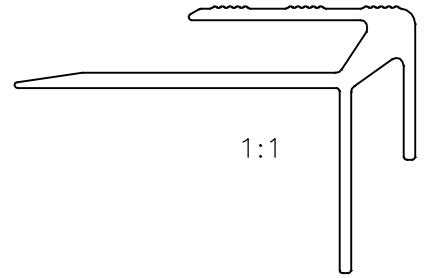
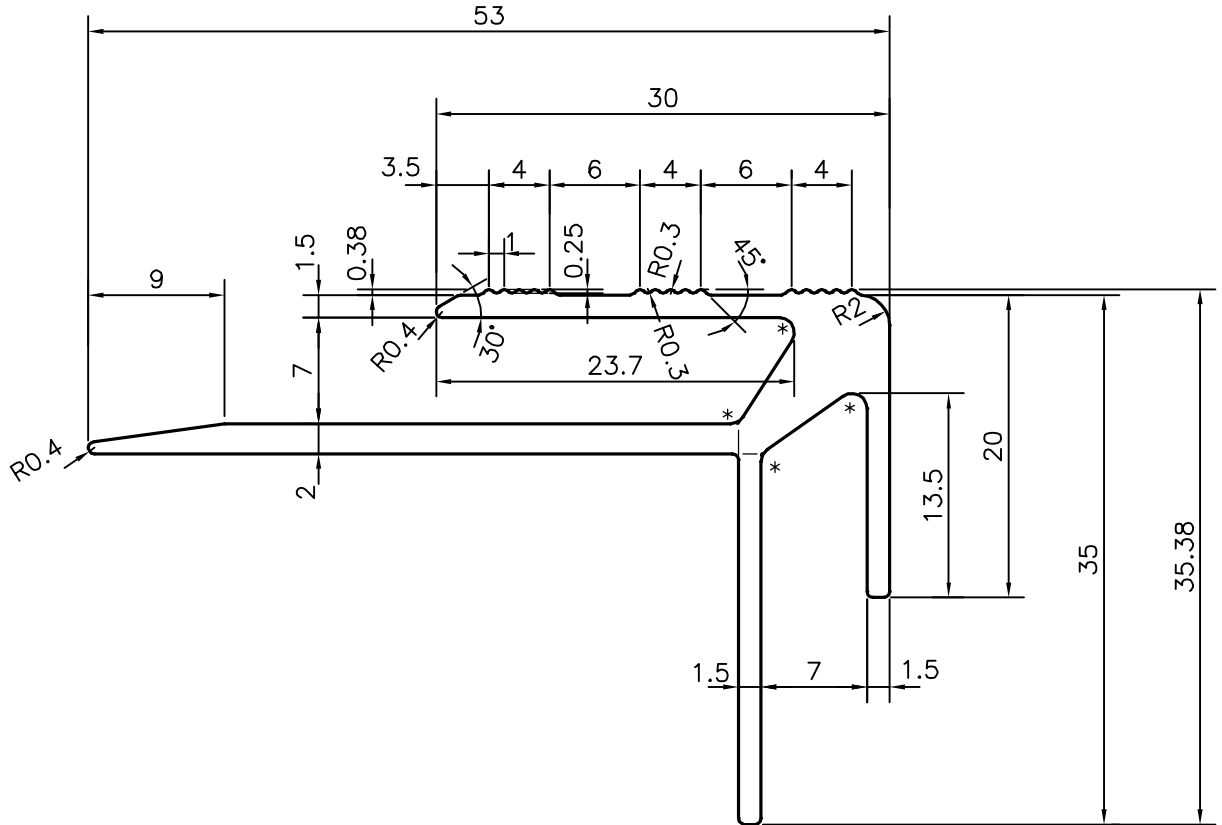


P-15921-2

X2020



1:1



\* = 1.0 RADIUS (4 PLACES)



SYMBOL OF QUALITY  
AN ISO 9001 COMPANY

**JINDAL ALUMINIUM LTD.**  
BANGALORE-560073 (INDIA)

|          | NAME        | DATE       |
|----------|-------------|------------|
| DRAWN    | J.P.KAUSHIK | 06-06-2016 |
| CHECKED  |             |            |
| APPROVED | S.S. GARG   | 13-06-2016 |

1. ALL DIMENSIONS ARE IN mm.
2. ROUND OFF ALL SHARP CORNERS WITH 0.40 mm.
3. TOLERANCES WILL BE AS PER, IS:3965-1981 UNLESS OTHERWISE SPECIFIED

|                      |         |
|----------------------|---------|
| SCALE                | 2:1     |
| AREA mm <sup>2</sup> | 236.988 |
| PERIMETER mm.        | 242.581 |
| WEIGHT kg/m          | 0.640   |

|                     |   |
|---------------------|---|
| PARTY'S NAME        | FALANX FLOOR SOLUTIONS PVT. LTD., BANGALORE |
| PARTY'S DRAWING No. | AS PER AutoCAD DRAWING & REQUIREMENT        |
| ALLOY & TEMPER      | HE9 WP                                      |
| DESCRIPTION         | ARCHITECTURAL SECTION                       |

| DRAWING No. | SECTION No. |
|-------------|-------------|
| P-15921-2   | -           |
| X2020       | X2020       |
|             |             |
|             |             |