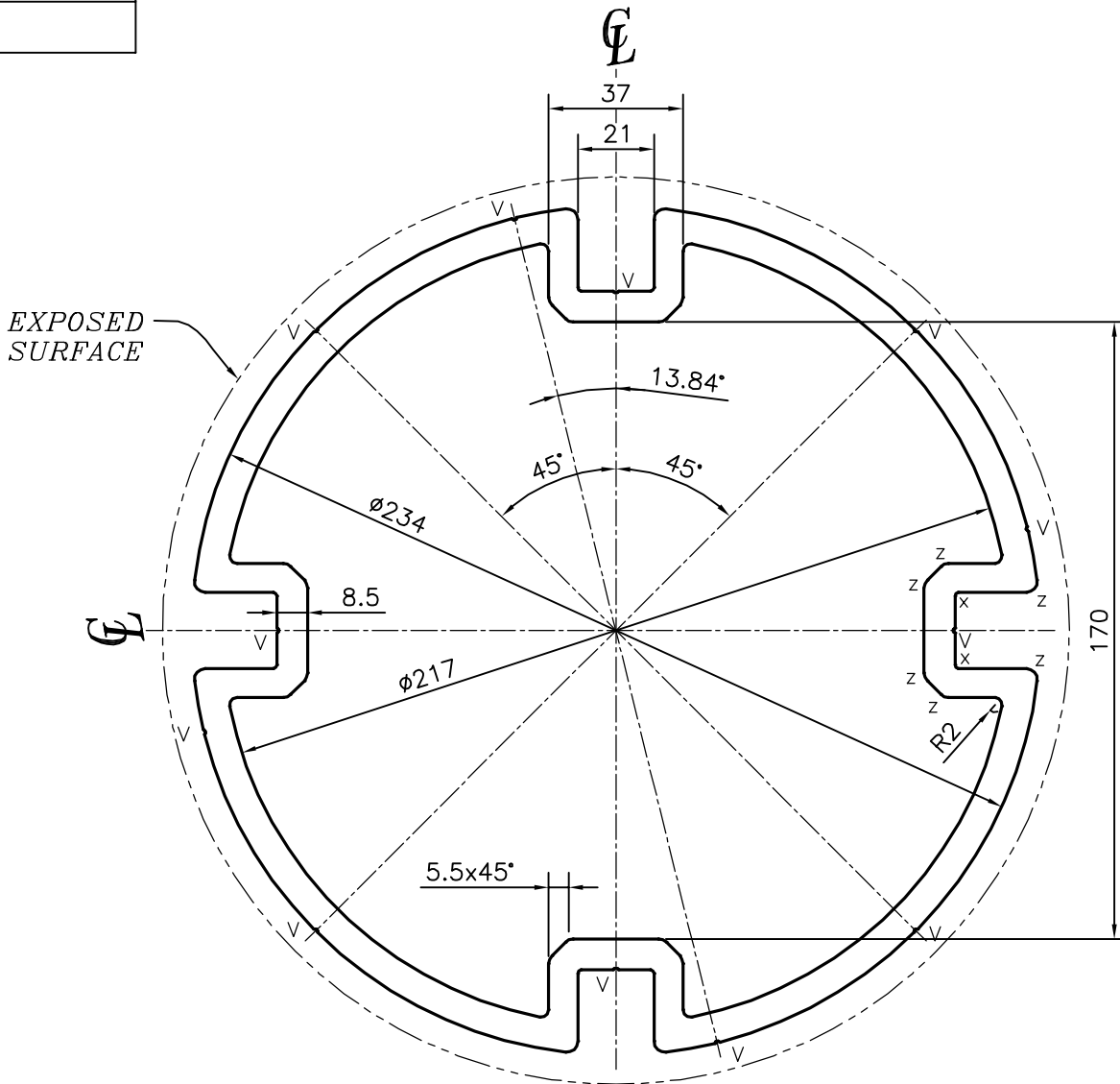


P-16095

X2024



SECTION IS SYMMETRICAL ABOUT CENTRE LINE.

OVALITY TOLERANCE :- ±2.0 mm.

V = VEE GROOVE 0.5x90° (12 PLACES)  
 Z = RADIUS 3 mm. (24 PLACES)  
 X = RADIUS 1 mm. (8 PLACES)



SYMBOL OF QUALITY  
AN ISO 9001 COMPANY

**JINDAL ALUMINIUM LTD.**  
 BANGALORE-560073 (INDIA)

	NAME	DATE
DRAWN	PARVESH	08-07-2016
CHECKED		
APPROVED	S.S. GARG	12-07-2016
SCALE		0.5:1
AREA mm <sup>2</sup>		7323.618
PERIMETER mm.		907.167
WEIGHT kg/m		19.774
DRAWING No.	SECTION No.	
P-16095	-	
X2024	X2024	

1. ALL DIMENSIONS ARE IN mm.
2. ROUND OFF ALL SHARP CORNERS WITH 0.40 mm.
3. TOLERANCES WILL BE AS PER BS:EN-755-9, UNLESS OTHERWISE SPECIFIED

PARTY'S NAME	GOLDSPAR AUSTRALIA PTY LIMITED., AUSTRALIA
PARTY'S DRAWING No.	2366433
ALLOY & TEMPER	6005A T5
DESCRIPTION	MISC. TUBE-MULTIPOLE