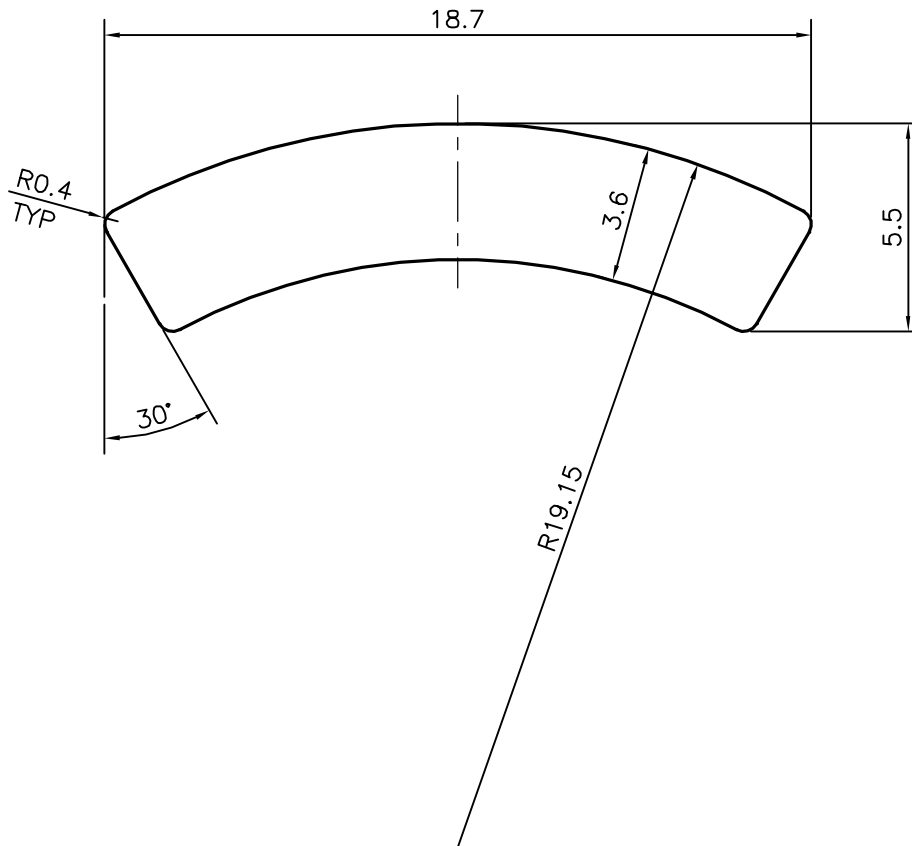


P-15898

X2027



SCALE 1:1



## TOLERANCES ON OVERALL WIDTHS &amp; WIDTHS ACROSS FLATS OF BARS, &amp; REGULAR SECTIONS

|                     |                      |                      |                       |
|---------------------|----------------------|----------------------|-----------------------|
| UPTO 6.40mm - ±0.20 | UPTO 32.0mm - ±0.38  | UPTO 120.0mm - ±0.85 | UPTO 320.00mm - ±1.70 |
| UPTO 10.0mm - ±0.23 | UPTO 50.0mm - ±0.46  | UPTO 160.0mm - ±1.02 |                       |
| UPTO 12.0mm - ±0.25 | UPTO 60.0mm - ±0.53  | UPTO 200.0mm - ±1.14 |                       |
| UPTO 16.0mm - ±0.28 | UPTO 80.0mm - ±0.69  | UPTO 250.0mm - ±1.40 |                       |
| UPTO 25.0mm - ±0.30 | UPTO 100.0mm - ±0.75 | UPTO 300.0mm - ±1.65 |                       |



SYMBOL OF QUALITY  
AN ISO 9001 COMPANY

**JINDAL ALUMINIUM LTD.**  
BANGALORE-560073 (INDIA)

|          | NAME        | DATE       |
|----------|-------------|------------|
| DRAWN    | RAGHAVENDRA | 28-05-2016 |
| CHECKED  |             |            |
| APPROVED | S.S. GARG   | 22-07-2016 |

1. ALL DIMENSIONS ARE IN mm.
2. ROUND OFF ALL SHARP CORNERS WITH 0.40 mm.
3. TOLERANCES WILL BE AS PER IS:3965-1981, UNLESS OTHERWISE SPECIFIED

|                      |        |
|----------------------|--------|
| SCALE                | 1:1    |
| AREA mm <sup>2</sup> | 64.648 |
| PERIMETER mm.        | 42.507 |
| WEIGHT kg/m          | 0.175  |

PARTY'S NAME GOYAL ALUMINIUM HOUSE, DELHI

PARTY'S DRAWING No. AS PER SAMPLE

ALLOY & TEMPER HE30 WP

DESCRIPTION COOKER PATTI

| DRAWING No. | SECTION No. |
|-------------|-------------|
| P-15898     | -           |
| X2027       | X2027       |