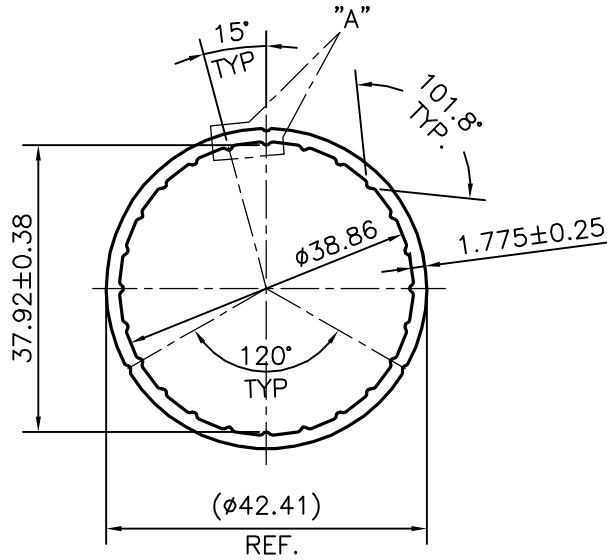
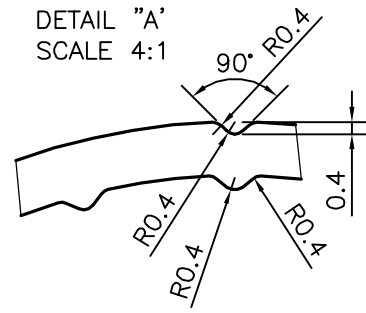


P-16122

X2029

DETAIL "A"
SCALE 4:1



SYMBOL OF QUALITY
AN ISO 9001 COMPANY

JINDAL ALUMINIUM LTD.
BANGALORE-560073 (INDIA)

	NAME	DATE
DRAWN	Kiran	21-07-2016
CHECKED		
APPROVED	S.S. GARG	27-07-2016
SCALE		1:1
AREA	mm ²	235.323
PERIMETER	mm.	133.991
WEIGHT	kg/m	0.635
DRAWING No.	SECTION No.	
P-16122	-	
X2029	X2029	

1. ALL DIMENSIONS ARE IN mm.
2. ROUND OFF ALL SHARP CORNERS WITH 0.40 mm.
3. TOLERANCES WILL BE AS PER IS:6477-1983, UNLESS OTHERWISE SPECIFIED

PARTY'S NAME	LOUVERLINE BLINDS BANGALORE
PARTY'S DRAWING No.	AS PER DRAWING - 302100
ALLOY & TEMPER	6063 T6
DESCRIPTION	VENETIAN BLIND SECTION