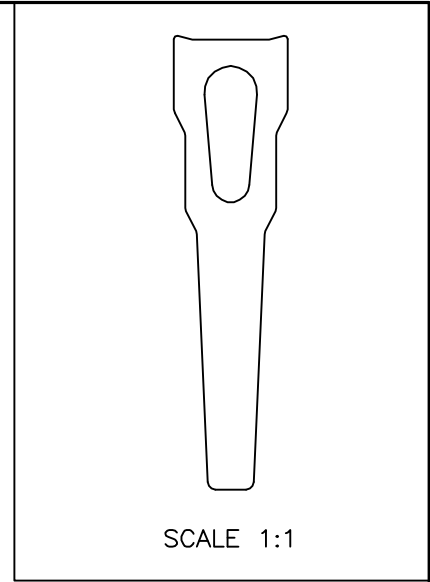
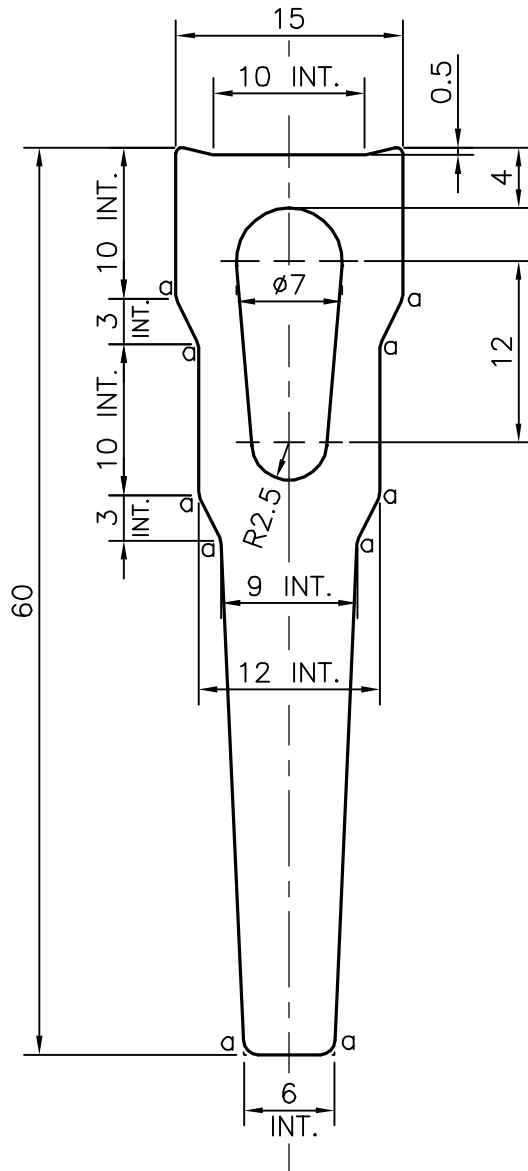



P-16135-1
X2031
-



$a = \text{RADIUS } 1.0 \text{ (10 PLACES)}$

 SYMBOL OF QUALITY AN ISO 9001 COMPANY	JINDAL ALUMINIUM LTD. BANGALORE-560073 (INDIA)		NAME	DATE
		DRAWN	KIRAN	30-07-2016
1. ALL DIMENSIONS ARE IN mm. 2. ROUND OFF ALL SHARP CORNERS WITH 0.40 mm. 3. TOLERANCES WILL BE AS PER IS:6477-1983, UNLESS OTHERWISE SPECIFIED		CHECKED		
		APPROVED	S.S. GARG	01-08-2016
PARTY'S NAME UDAYARAVI ENTERPRISES, BANGALORE		SCALE		2:1
		AREA mm ²		489.206
PARTY'S DRAWING No. AS PER AutoCAD DRAWING		PERIMETER mm.		141.42
		WEIGHT kg/m		1.321
ALLOY & TEMPER 6063 T6		DRAWING No.	SECTION No.	
		P-16135-1	-	
DESCRIPTION TEXTILE SECTION		X2031	X2031	
		-	-	