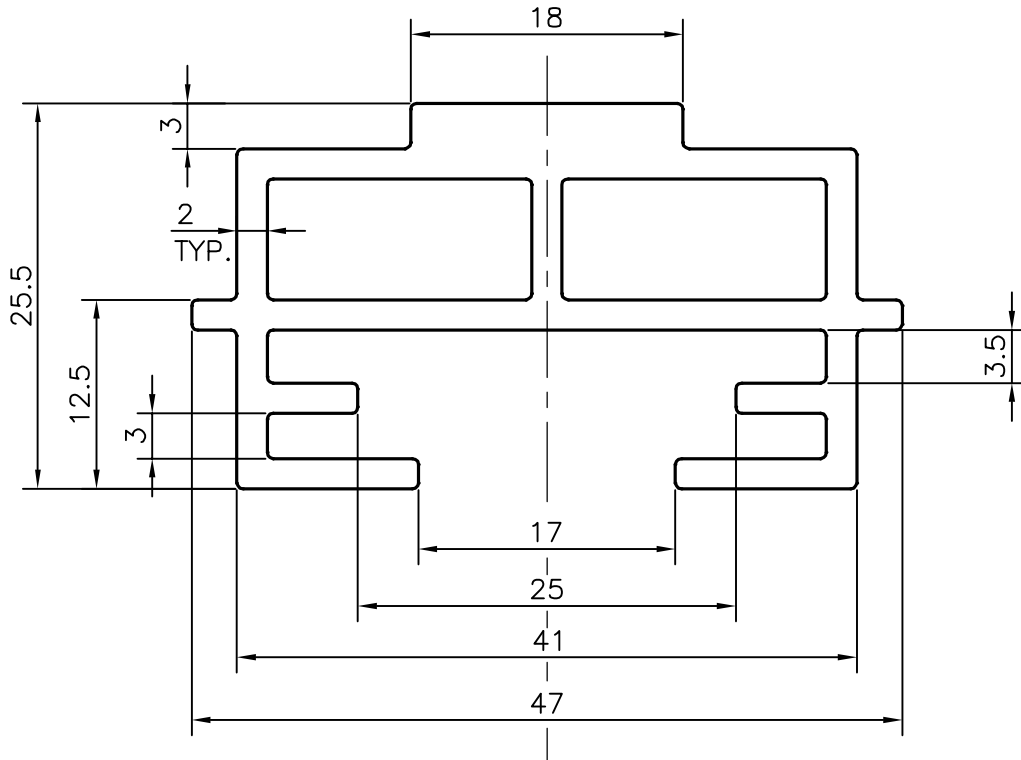
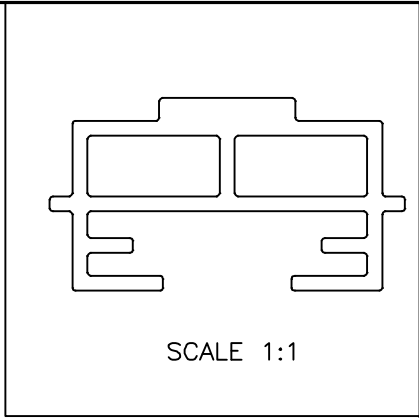



| |
|---------|
| P-16138 |
| X2032 |
| - |



| | | | | |
|---|--|----------------------|-------------|------------|
|  SYMBOL OF QUALITY AN ISO 9001 COMPANY | JINDAL ALUMINIUM LTD. BANGALORE-560073 (INDIA) | DRAWN | NAME | DATE |
| | | CHECKED | KIRAN | 03-08-2016 |
| 1. ALL DIMENSIONS ARE IN mm. 2. ROUND OFF ALL SHARP CORNERS WITH 0.40 mm. 3. TOLERANCES WILL BE AS PER IS:6477-1983, UNLESS OTHERWISE SPECIFIED | | APPROVED | S.S. GARG | 05-08-2016 |
| | | SCALE | | 2:1 |
| PARTY'S NAME SHRI BALAJI AGENCIES, BANGALORE | | AREA mm ² | | 384.137 |
| | | PERIMETER mm. | | 224.506 |
| PARTY'S DRAWING No. AS PER AutoCAD DRAWING | | WEIGHT kg/m | | 1.037 |
| | | DRAWING No. | SECTION No. | |
| ALLOY & TEMPER 6063 T6 | | P-16138 | | - |
| | | X2032 | | X2032 |
| DESCRIPTION DISPLAY SECTION | | - | | - |
| | | | | |