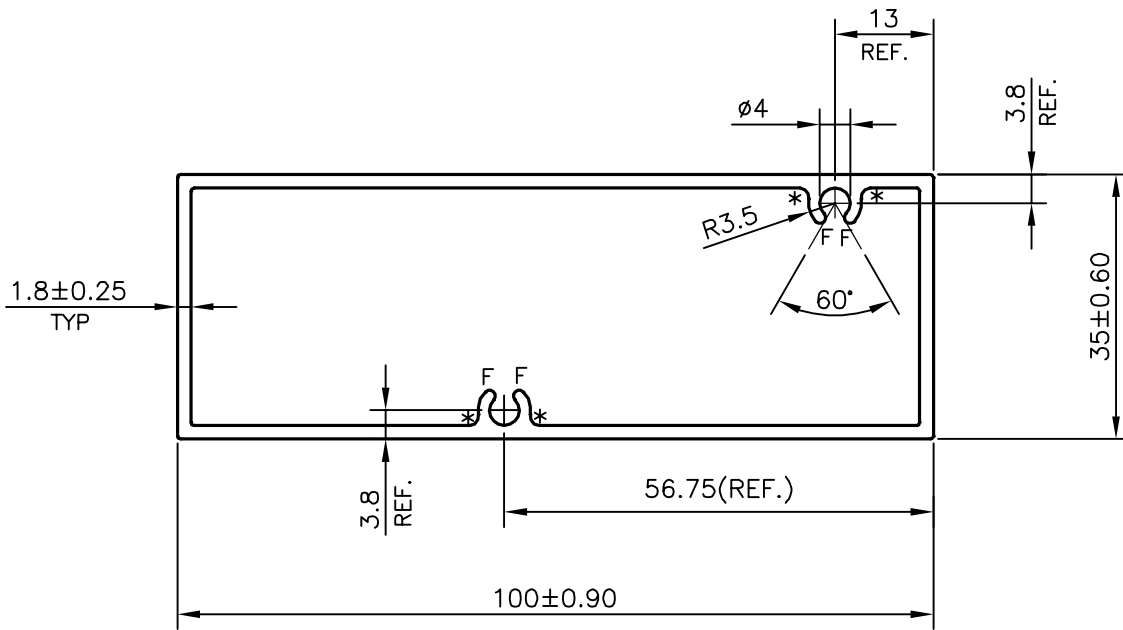


P-16250

X2066



* = 1.2 RADIUS (4 PLACES)
 F = FULL RADIUS (4 PLACES)



SYMBOL OF QUALITY
 AN ISO 9001 COMPANY

JINDAL ALUMINIUM LTD.
 BANGALORE-560073 (INDIA)

	NAME	DATE
DRAWN	J.P.KAUSHIK	22-08-2016
CHECKED		
APPROVED	S.S. GARG	26-08-2016
SCALE		1:1
AREA mm ²		505.544
PERIMETER mm.		269.313
WEIGHT kg/m		1.365
DRAWING No.	SECTION No.	
P-16250	-	
X2066	X2066	

1. ALL DIMENSIONS ARE IN mm.
2. ROUND OFF ALL SHARP CORNERS WITH 0.40 mm.
3. TOLERANCES WILL BE AS PER IS:6477-1983 UNLESS OTHERWISE SPECIFIED

PARTY'S NAME	ALUFIT (INDIA) PVT. LTD., HOSUR
PARTY'S DRAWING No.	CDR-9002635
ALLOY & TEMPER	6063 T6
DESCRIPTION	MISC. SECTION