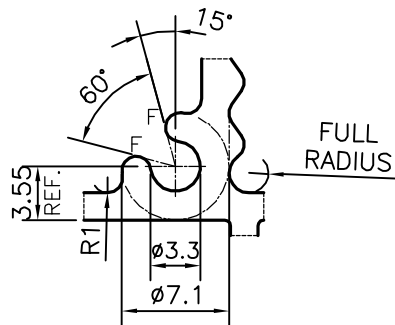
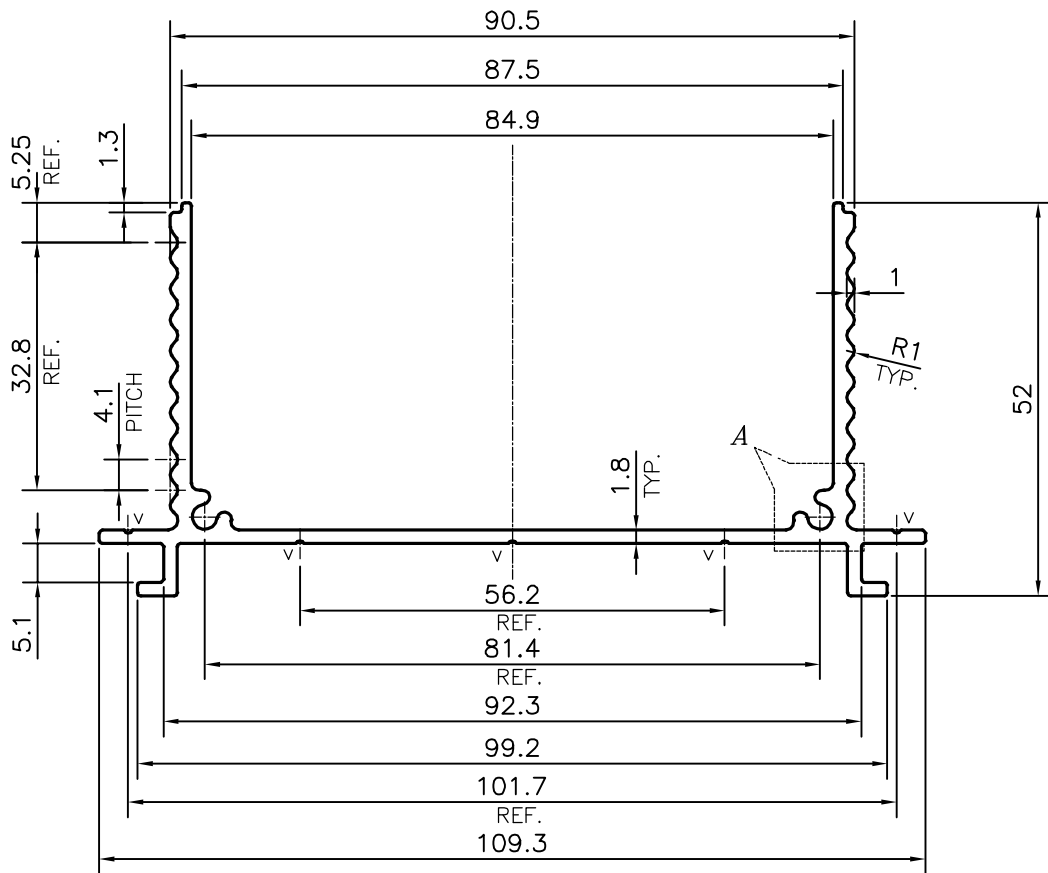


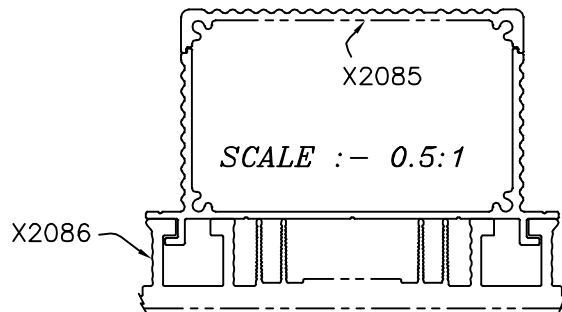
P-15707

S4882

X2084



DETAIL OF "A"
SCALE 2:1



V = VEE GROOVE 0.4x90° (5 PLACES)
F = FULL RADIUS (4 PLACES)



SYMBOL OF QUALITY
AN ISO 9001 COMPANY

JINDAL ALUMINIUM LTD.
BANGALORE-560073 (INDIA)

	NAME	DATE
DRAWN	PARVESH	29-03-2016
CHECKED		
APPROVED	B. NATARAJ	25-03-2016
SCALE		1:1
AREA	mm ²	452.234
PERIMETER	mm.	455.202
WEIGHT	kg/m	1.221
DRAWING No.	SECTION No.	
P-15707	-	
S4882	S4882	
X2084	X2084	

1. ALL DIMENSIONS ARE IN mm.
2. ROUND OFF ALL SHARP CORNERS WITH 0.40 mm.
3. TOLERANCES WILL BE AS PER IS:3965-1981, UNLESS OTHERWISE SPECIFIED

PARTY'S NAME	VYOMA LITS, BANGALORE
PARTY'S DRAWING No.	AS PER REQUIREMENT
ALLOY & TEMPER	HE9 WP
DESCRIPTION	ELECTRICAL SECTION