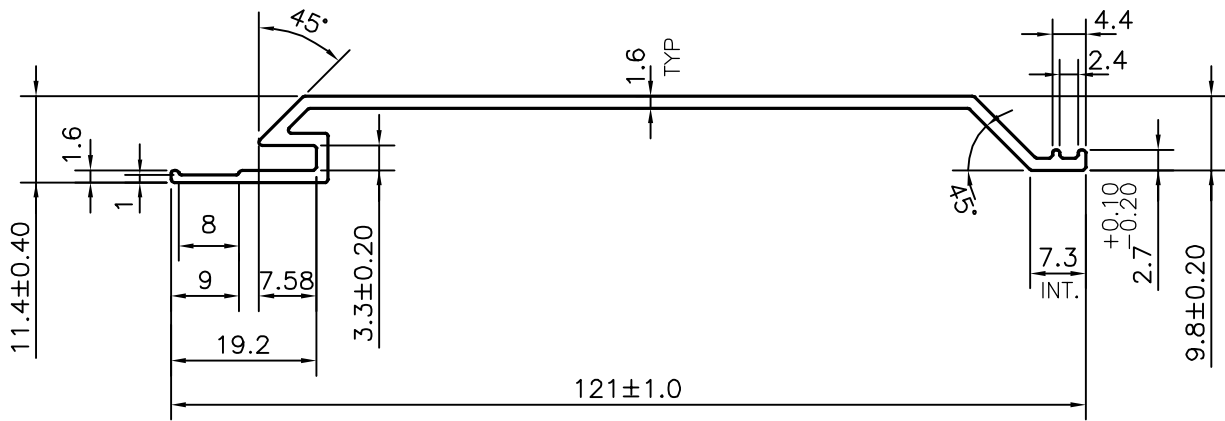


P-16436

X2097



SYMBOL OF QUALITY
AN ISO 9001 COMPANY

JINDAL ALUMINIUM LTD.
BANGALORE-560073 (INDIA)

	NAME	DATE
DRAWN	J.P.KAUSHIK	13-10-2016
CHECKED		
APPROVED	B.NATARAJ	18-10-2016

1. ALL DIMENSIONS ARE IN mm.
2. ROUND OFF ALL SHARP CORNERS WITH 0.40 mm.
3. TOLERANCES WILL BE AS PER, BS:EN-755-9 UNLESS OTHERWISE SPECIFIED

SCALE	1:1
AREA mm ²	229.815
PERIMETER mm.	294.385
WEIGHT kg/m	0.621

PARTY'S NAME	ALUMINIUM F/X ,CANADA	DRAWING No.	P-16436	SECTION No.	-
PARTY'S DRAWING No.	AS PER DRAWING		X2097		X2097
ALLOY & TEMPER	6063 T6				
DESCRIPTION	MISC. SECTION				