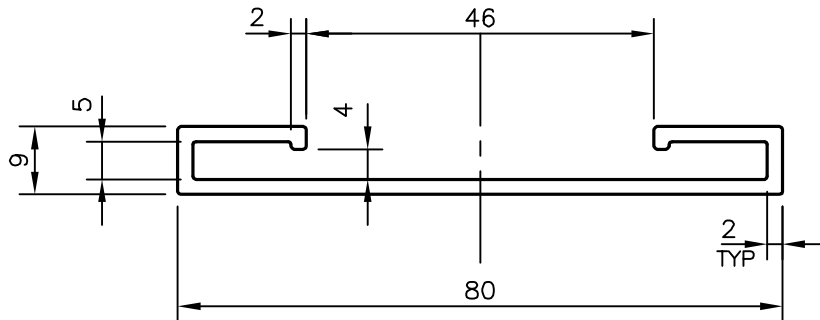
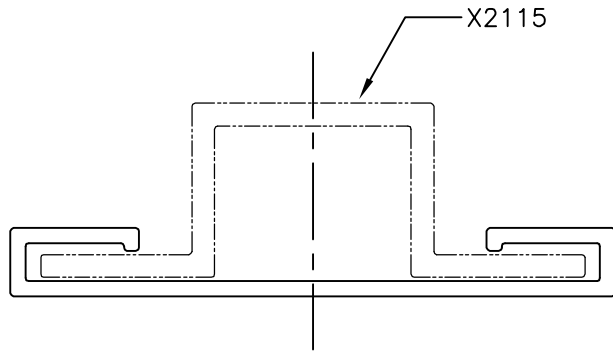


P-16638-1

X2117



SYMBOL OF QUALITY  
AN ISO 9001 COMPANY

**JINDAL ALUMINIUM LTD.**  
BANGALORE-560073 (INDIA)

	NAME	DATE
DRAWN	J.P.KAUSHIK	21-12-2016
CHECKED		
APPROVED	B.NATARAJ	30-12-2016

1. ALL DIMENSIONS ARE IN mm.
2. ROUND OFF ALL SHARP CORNERS WITH 0.40 mm.
3. TOLERANCES WILL BE AS PER BS:EN-755-9 UNLESS OTHERWISE SPECIFIED

SCALE	1:1
AREA mm <sup>2</sup>	251.863
PERIMETER mm.	253.253
WEIGHT kg/m	0.680

PARTY'S NAME	UAB LEMORA, LITHUANIA
PARTY'S DRAWING No.	AS PER AutoCAD DRAWING & REQUIREMENT
ALLOY & TEMPER	6063 T6
DESCRIPTION	CHANNEL-MISC.

DRAWING No.	SECTION No.
P-16638-1	-
X2117	X2117