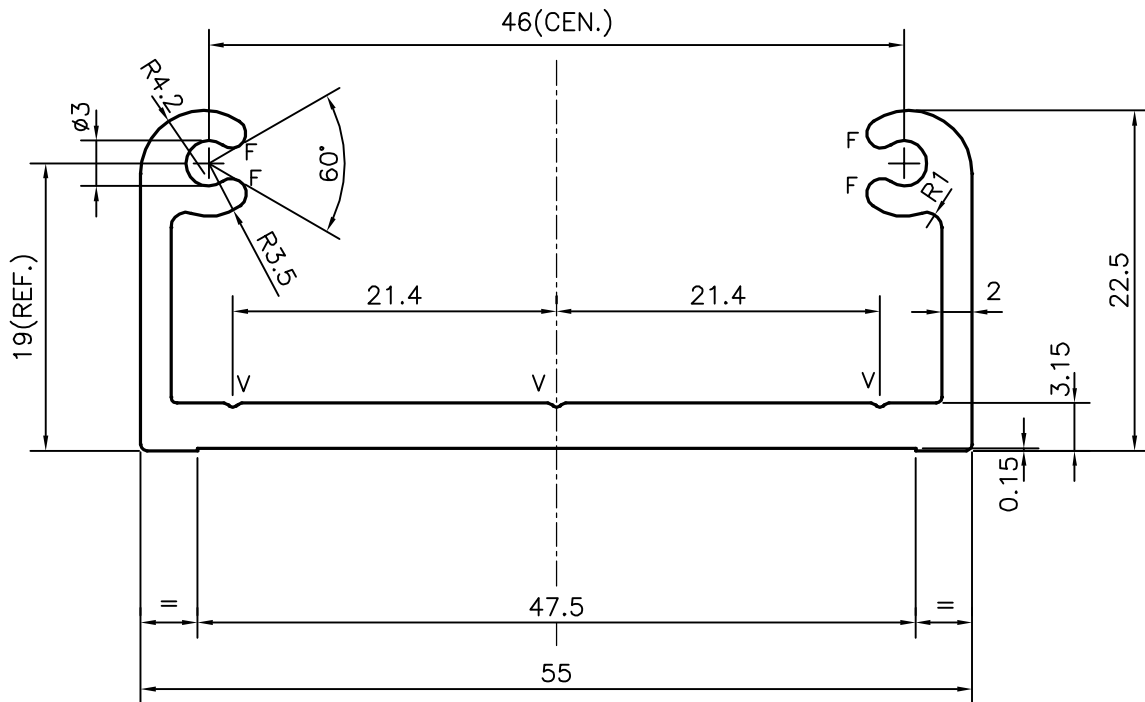


P-16996

X2138



1:1



F = FULL RADIUS (4 PLACES)

V = V GROOVE 0.3x90° (3 PLACES)

TOLERANCES ON OVERALL WIDTHS & WIDTHS ACROSS FLATS OF BARS, & REGULAR SECTIONS

UPTO 6.40mm - ±0.20	UPTO 32.0mm - ±0.38	UPTO 120.0mm - ±0.85	UPTO 320.00mm - ±1.70
UPTO 10.0mm - ±0.23	UPTO 50.0mm - ±0.46	UPTO 160.0mm - ±1.02	
UPTO 12.0mm - ±0.25	UPTO 60.0mm - ±0.53	UPTO 200.0mm - ±1.14	
UPTO 16.0mm - ±0.28	UPTO 80.0mm - ±0.69	UPTO 250.0mm - ±1.40	
UPTO 25.0mm - ±0.30	UPTO 100.0mm - ±0.75	UPTO 300.0mm - ±1.65	



SYMBOL OF QUALITY
AN ISO 9001 COMPANY

JINDAL ALUMINIUM LTD.
BANGALORE-560073 (INDIA)

	NAME	DATE
DRAWN	J.P.KAUSHIK	14-04-2017
CHECKED		
APPROVED	B.NATARAJA	26-04-2017

- ALL DIMENSIONS ARE IN mm.
- ROUND OFF ALL SHARP CORNERS WITH 0.40 mm.
- TOLERANCES WILL BE AS PER IS:3965-1981 , UNLESS OTHERWISE SPECIFIED

SCALE	2:1
AREA mm ²	281.681
PERIMETER mm.	220.551
WEIGHT kg/m	0.761

PARTY'S NAME	TEAM WORK GLASS SOLUTION PVT. LTD., BANGALORE	DRAWING No.	P-16996	SECTION No.	-
PARTY'S DRAWING No.	AS PER DRAWING-TWS 2017 007		X2138		X2138
ALLOY & TEMPER	6063 T6				
DESCRIPTION	TRANSOM CONNECTOR SECTION				