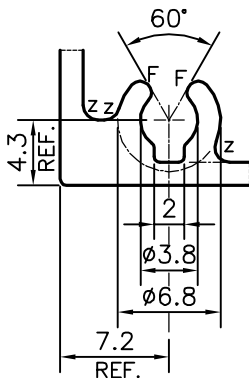
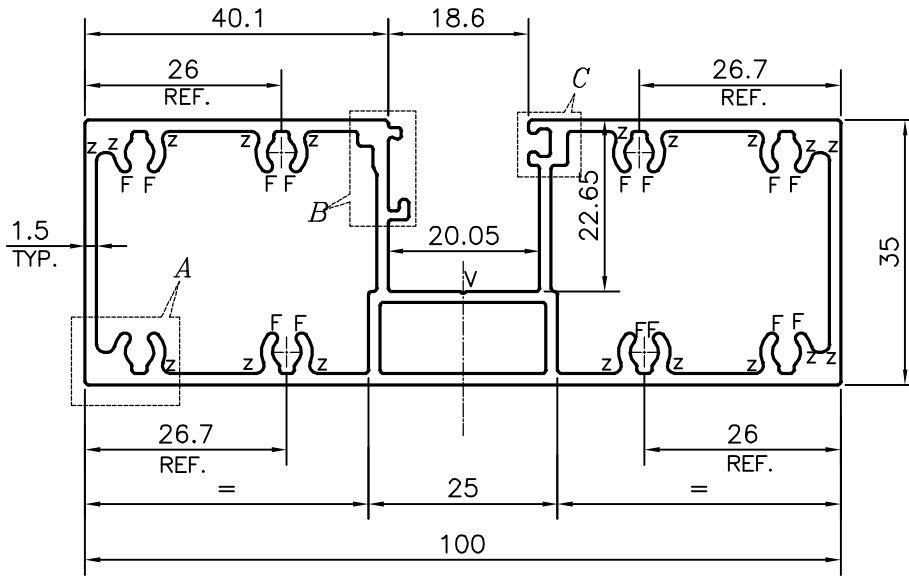
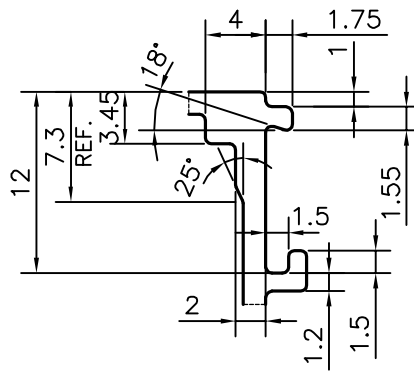


P-17142

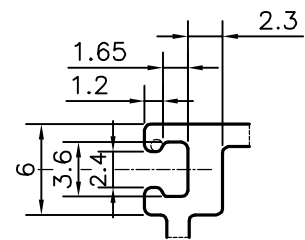
X2199



DETAIL OF "A"
SCALE 2:1



DETAIL OF "B"
SCALE 2:1



DETAIL OF "C"
SCALE 2:1

F = FULL RADIUS (16 PLACES)
 Z = RADIUS 1 mm. (20 PLACES)
 V = VEE GROOVE 0.3x90° (1 PLACE)

TOLERANCES ON OVERALL WIDTHS & WIDTHS ACROSS FLATS OF BARS, & REGULAR SECTIONS

UPTO 6.40mm - ±0.20	UPTO 32.0mm - ±0.38	UPTO 120.0mm - ±0.85	1. STRAIGHTNESS=1.7mm/M 2. TWIST=1.7mm/M 3. ANGULARITY= ±2° 4. FLATNESS =0.007xWIDTH
UPTO 10.0mm - ±0.23	UPTO 50.0mm - ±0.46	UPTO 160.0mm - ±1.02	
UPTO 12.0mm - ±0.25	UPTO 60.0mm - ±0.53	UPTO 200.0mm - ±1.14	
UPTO 16.0mm - ±0.28	UPTO 80.0mm - ±0.69	UPTO 250.0mm - ±1.40	
UPTO 25.0mm - ±0.30	UPTO 100.0mm - ±0.75	UPTO 300.0mm - ±1.65	



SYMBOL OF QUALITY
AN ISO 9001 COMPANY

JINDAL ALUMINIUM LTD.
BANGALORE-560073 (INDIA)

	NAME	DATE
DRAWN	PARVESH	17-05-2017
CHECKED		
APPROVED	B.NATARAJA	16-06-2017
SCALE		1:1
AREA mm ²		694.527
PERIMETER mm.		333.97
WEIGHT kg/m		1.875
DRAWING No.	SECTION No.	
P-17142	-	
X2199	X2199	

1. ALL DIMENSIONS ARE IN mm. 2. ROUND OFF ALL SHARP CORNERS WITH 0.40 mm. 3. TOLERANCES WILL BE AS PER IS:6477-1983 , UNLESS OTHERWISE SPECIFIED	
PARTY'S NAME	TEAM WORK GLASS SOLUTIONS PVT LTD., HYDERABAD
PARTY'S DRAWING No.	WL-015
ALLOY & TEMPER	6063 T6
DESCRIPTION	ARCHITECTURAL SECTION-DOOR FRAME