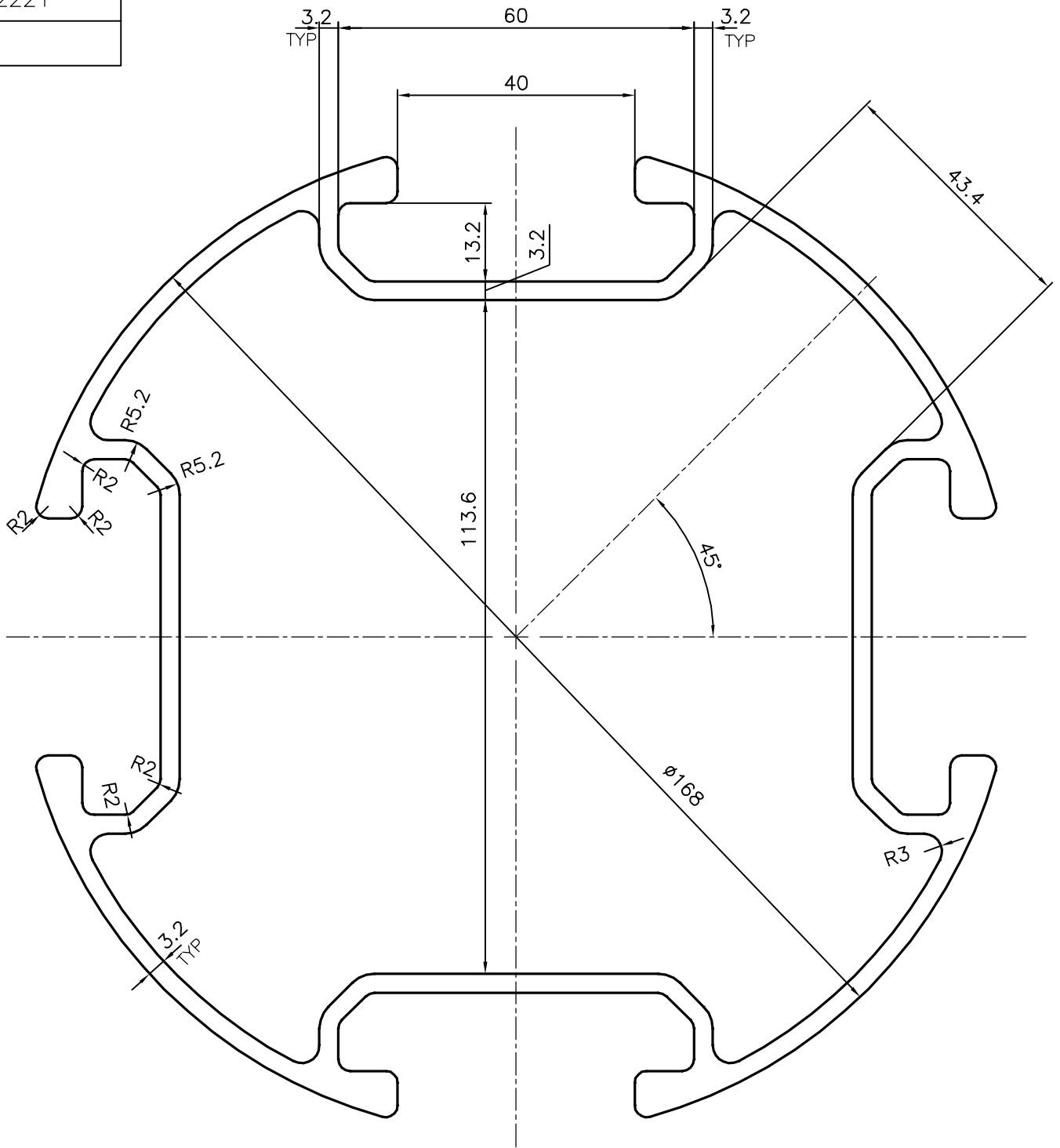


P-17314

X2221



SYMBOL OF QUALITY
AN ISO 9001 COMPANY

JINDAL ALUMINIUM LTD.
BANGALORE-560073 (INDIA)

	NAME	DATE
DRAWN	J.P.KAUSHIK	06-07-2017
CHECKED		
APPROVED	B.NATARAJA	13-07-2017
SCALE		1:1
AREA mm ²		2573.775
PERIMETER mm.		807.141
WEIGHT kg/m		6.949
DRAWING No.	SECTION No.	
P-17314	-	
X2221	X2221	

1. ALL DIMENSIONS ARE IN mm.
2. ROUND OFF ALL SHARP CORNERS WITH 0.40 mm.
3. TOLERANCES WILL BE AS PER BS:EN-755-9 , UNLESS OTHERWISE SPECIFIED

PARTY'S NAME	GOLDS PAR AUSTRALIA PTY LIMITED, AUSTRALIA
PARTY'S DRAWING No.	M276
ALLOY & TEMPER	6005A T5
DESCRIPTION	MISC. TUBE-168 MAST LIGHT