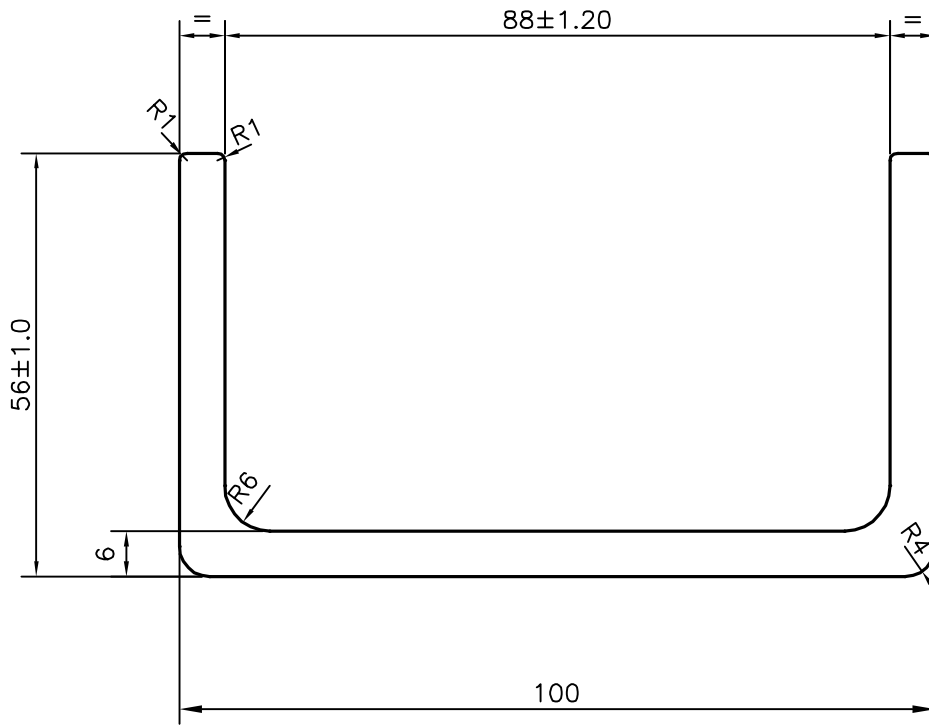


P-17593-1

X2276



SYMBOL OF QUALITY
AN ISO 9001 COMPANY

JINDAL ALUMINIUM LTD.
BANGALORE-560073 (INDIA)

	NAME	DATE
DRAWN	J.P.KAUSHIK	31-10-2017
CHECKED		
APPROVED	B.NATARAJA	15-11-2017
SCALE		1:1
AREA mm ²		1207.726
PERIMETER mm.		401.699
WEIGHT kg/m		3.261
DRAWING No.	SECTION No.	
P-17593-1	-	
X2276	X2276	

1. ALL DIMENSIONS ARE IN mm.
2. ROUND OFF ALL SHARP CORNERS WITH 0.40 mm.
3. TOLERANCES WILL BE AS PER BS:EN-755-9 UNLESS OTHERWISE SPECIFIED

PARTY'S NAME	ULLRICH ALUMINIUM, AUSTRALIA
PARTY'S DRAWING No.	22844 REV. A
ALLOY & TEMPER	6061 T6
DESCRIPTION	CHANNEL