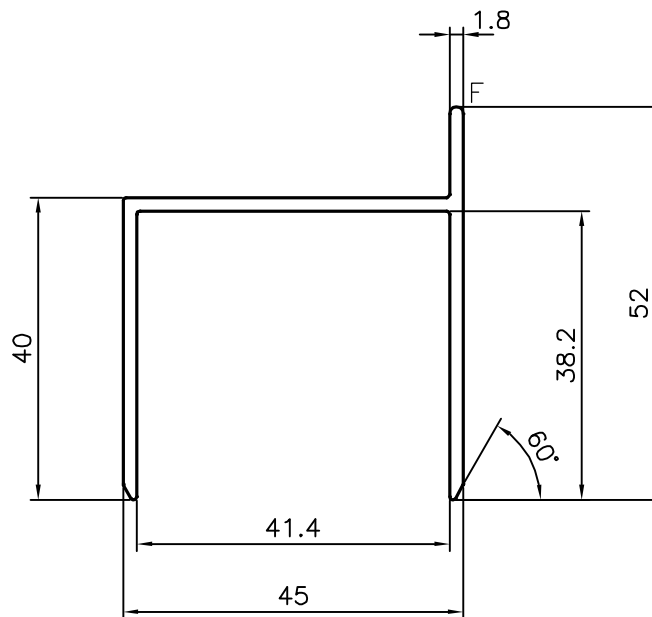


P-17803

X2297



SYMBOL OF QUALITY
AN ISO 9001 COMPANY

JINDAL ALUMINIUM LTD.
BANGALORE-560073 (INDIA)

	NAME	DATE
DRAWN	J.P.KAUSHIK	20-01-2018
CHECKED		
APPROVED	B.NATARAJ	10-02-2018

1. ALL DIMENSIONS ARE IN mm.
2. ROUND OFF ALL SHARP CORNERS WITH 0.40 mm.
3. TOLERANCES WILL BE AS PER BS:EN-755-9, UNLESS OTHERWISE SPECIFIED

SCALE	1:1
AREA mm ²	237.386
PERIMETER mm.	266.79
WEIGHT kg/m	0.641

PARTY'S NAME COPALCOR TRADING, CAPE TOWN

DRAWING No. SECTION No.

PARTY'S DRAWING No. AC27855

P-17803
X2297 X2297

ALLOY & TEMPER 6063 T6

DESCRIPTION MISC. CHANNEL