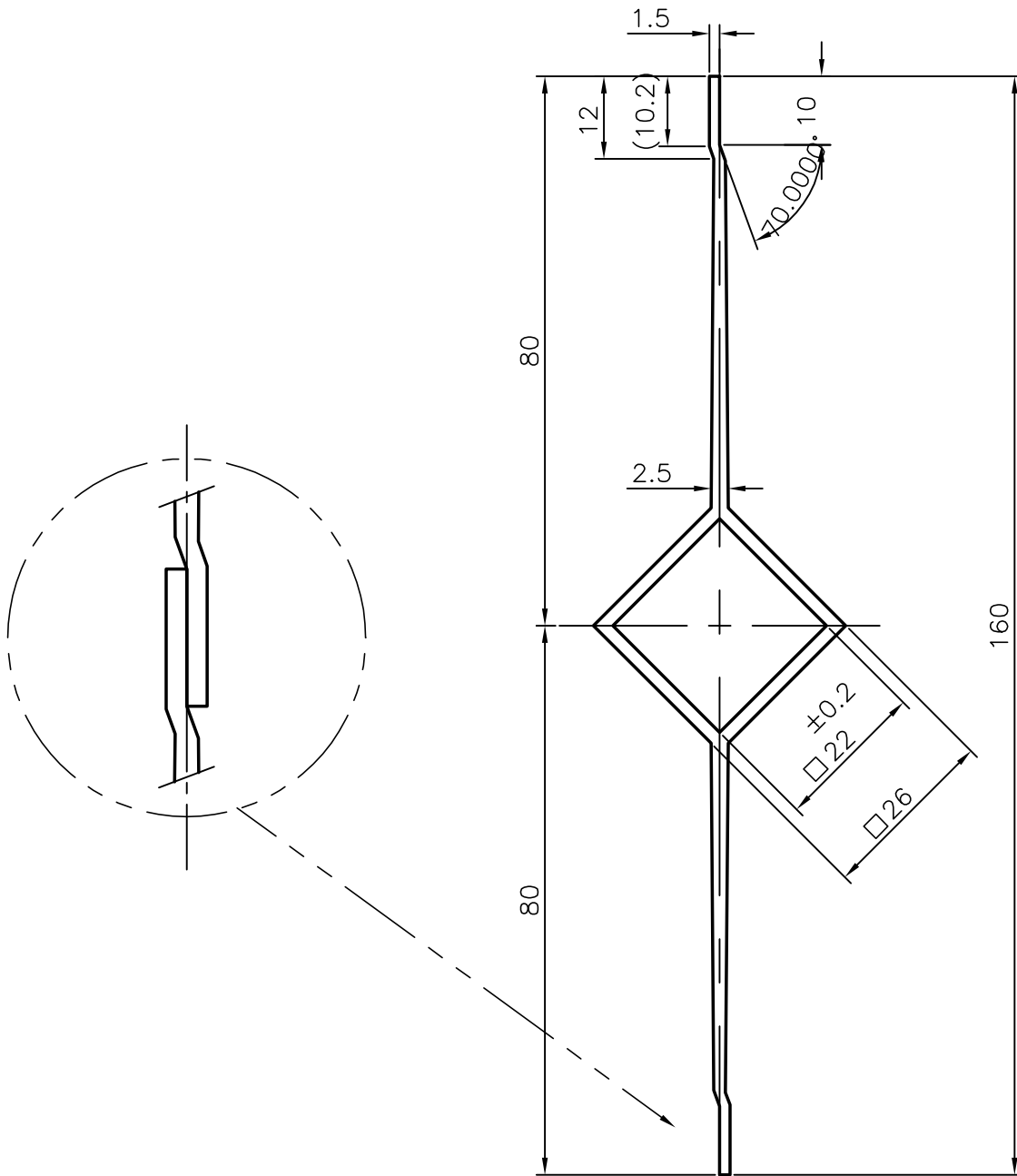


P-3849

X233



SYMBOL OF QUALITY
AN ISO 9002 COMPANY

JINDAL ALUMINIUM LTD.
BANGALORE-560073 (INDIA)

	NAME	DATE
DRAWN	SUDIP ROY	08.05.2002
CHECKED		
APPROVED		

1. ALL DIMENSIONS ARE IN mm.
2. ROUND OFF ALL SHARP CORNERS WITH 0.40 mm.
3. TOLERANCES WILL BE AS PER IS 6477-1983 UNLESS OTHERWISE SPECIFIED

SCALE	2:1 & 1:1
AREA mm ²	438.285
PERIMETER mm	351.926

PARTY'S NAME	LUWA INDIA PRIVATE LIMITED, BANGALORE	WEIGHT kg/m	1.183
PARTY'S DRAWING No.	AS PER DRAWING 12 44 533	SECTION No.	
ALLOY & TEMPER	HE9 WP	DRAWING No.	X233
DESCRIPTION	-		