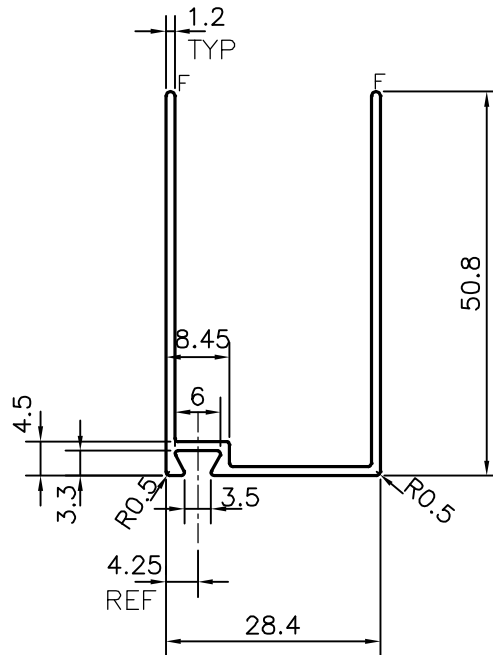


P-18299

X2356



SYMBOL OF QUALITY
AN ISO 9001 COMPANY

JINDAL ALUMINIUM LTD.
BANGALORE-560073 (INDIA)

	NAME	DATE
DRAWN	J.P.KAUSHIK	05-06-2018
CHECKED		
APPROVED	B.NATARAJA	02-07-2018
SCALE		1:1
AREA mm ²		161.022
PERIMETER mm.		264.487
WEIGHT kg/m		0.435
DRAWING No.	SECTION No.	
P-18299	-	
X2356	X2356	

1. ALL DIMENSIONS ARE IN mm.
2. ROUND OFF ALL SHARP CORNERS WITH 0.40 mm.
3. TOLERANCES WILL BE AS PER BS:EN-755-9 , UNLESS OTHERWISE SPECIFIED

PARTY'S NAME	A-1 ALUMINIUM INC., USA
PARTY'S DRAWING No.	11A243B3
ALLOY & TEMPER	6063 T6
DESCRIPTION	SCREEN DOOR BOTTOM EXPANDER