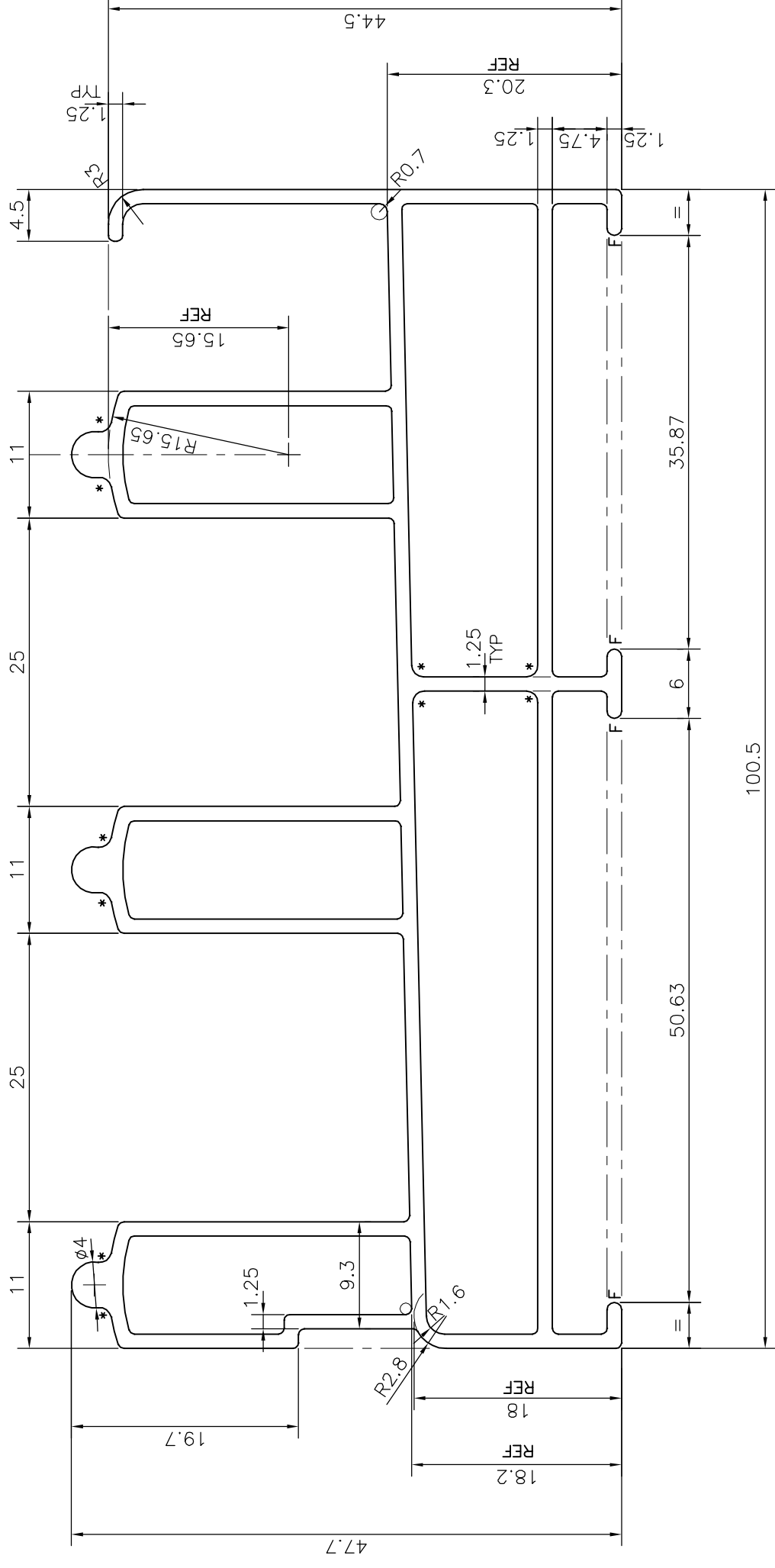


P-18672

X2403



UNSPECIFIED RADIUS 0.5 mm
 * = RADIUS 1.0 (10 PLACES)
 F = FULL RADIUS (4 PLACES)

TOLERANCES ON OVERALL DIMENSIONS OF HOLLOW SECTIONS

UPTO 20.0mm - ±0.30	UPTO 80.0mm - ±0.70	UPTO 180.0mm - ±1.27	1. STRAIGHTNESS=1.7mm/M
UPTO 30.0mm - ±0.38	UPTO 100.0mm - ±0.80	UPTO 200.0mm - ±1.40	2. TWIST=1.7mm/M
UPTO 40.0mm - ±0.45	UPTO 120.0mm - ±0.90	UPTO 225.0mm - ±1.52	3. ANGULARITY= ±2°
UPTO 50.0mm - ±0.52	UPTO 140.0mm - ±1.00		4. FLATNESS =0.006xWIDTH
UPTO 60.0mm - ±0.60	UPTO 160.0mm - ±1.14		

<p>SYMBOL OF QUALITY AN ISO 9001 COMPANY</p>	<p>JINDAL ALUMINIUM LTD. BANGALORE-560073 (INDIA)</p>		<p>NAME: J.P.KAUSHIK DATE: 14-09-2018</p>
	<p>1. ALL DIMENSIONS ARE IN mm. 2. ROUND OFF ALL SHARP CORNERS WITH 0.40 mm. 3. TOLERANCES WILL BE AS PER IS:6477-1983 UNLESS OTHERWISE SPECIFIED</p>		<p>CHECKED: [] APPROVED: B.NATARAJA SCALE: 2:1 AREA: mm² 613.891 PERIMETER: mm. 492.759 WEIGHT: kg/m 1.658</p>
	<p>PARTY'S NAME: MCW, PUNE</p>		<p>DRAWING No. SECTION No. P-18672 -</p>
	<p>PARTY'S DRAWING No. AS PER DRAWING</p>		<p>DRAWING No. SECTION No. X2403 X2403</p>
<p>ALLOY & TEMPER: 6063 T6</p>		<p>DESCRIPTION: WINDOW SECTION</p>	

