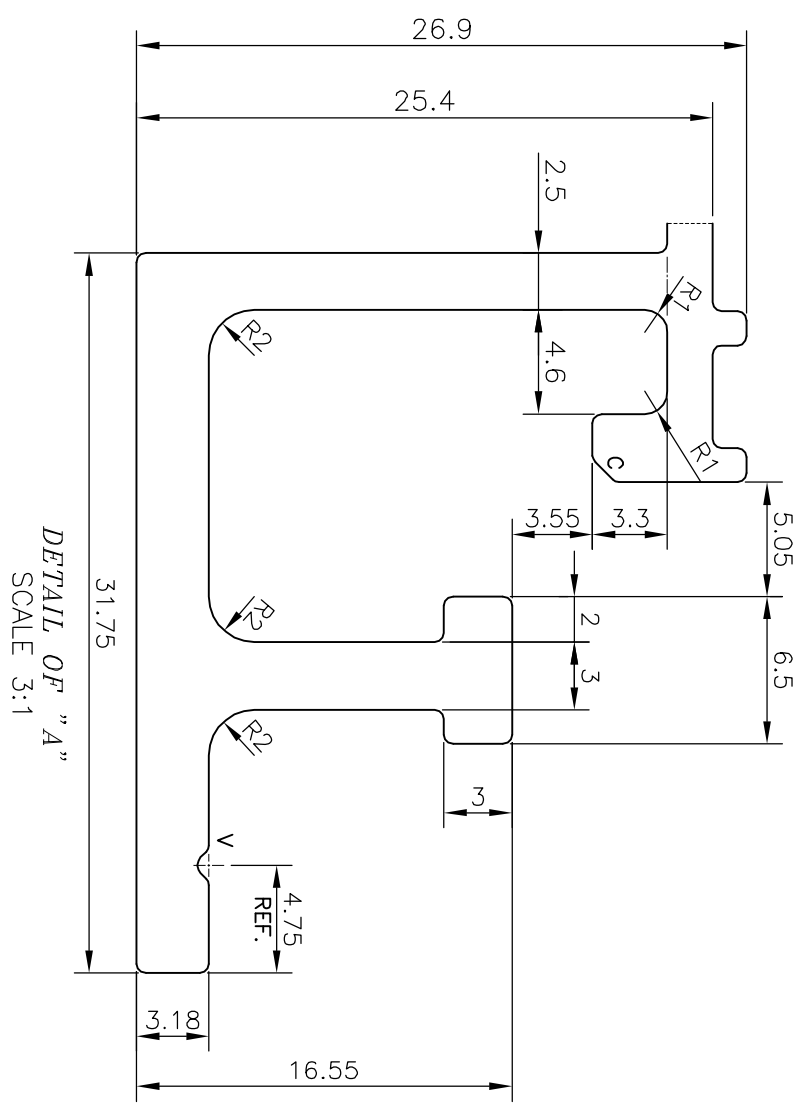
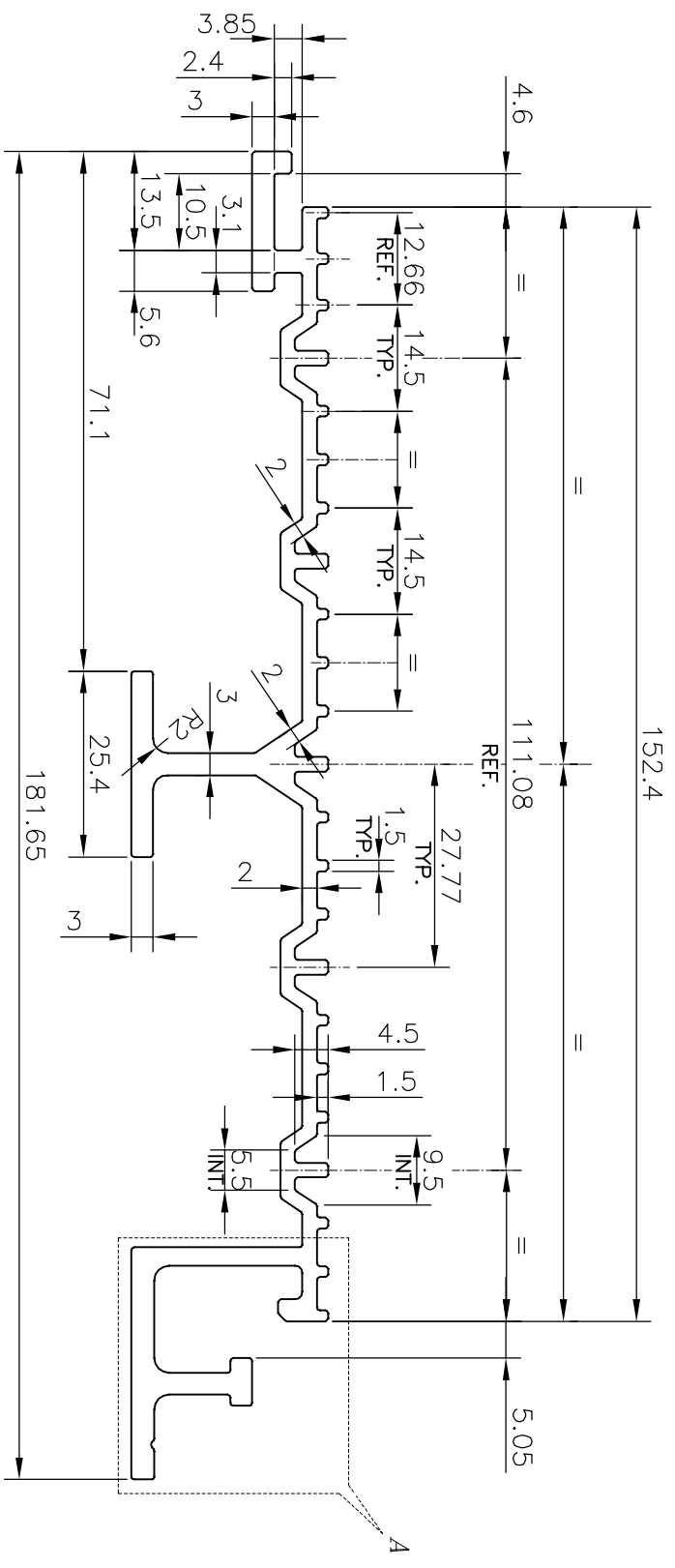
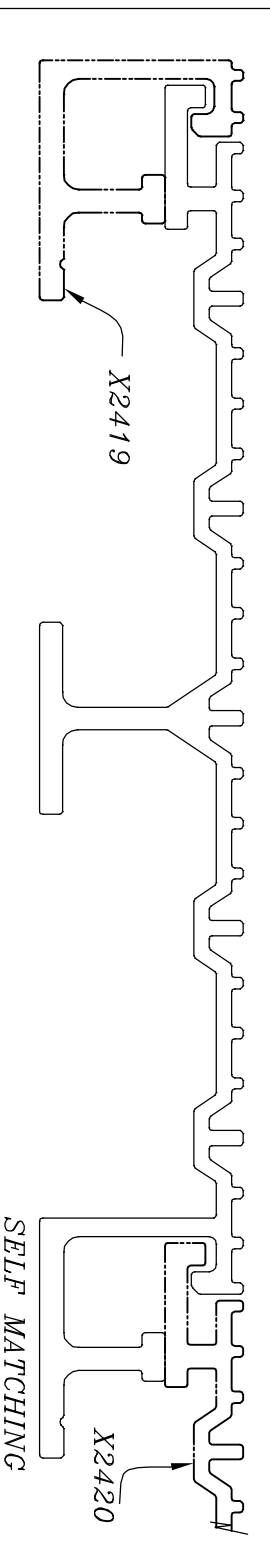



P-18786

X2420



DETAIL OF "A"
SCALE 3:1

V = VEE GROOVE 0.5x90° (1 PLACE)
C = CHAMFER 1x45° mm. (1 PLACE)

 <p>SYMBOL OF QUALITY AN ISO 9001 COMPANY</p>		<p>JINDAL ALUMINIUM LTD. BANGALORE-560073 (INDIA)</p>		<p>1. ALL DIMENSIONS ARE IN mm. 2. ROUND OFF ALL SHARP CORNERS WITH 0.40 mm. 3. TOLERANCES WILL BE AS PER BS:EN-755-9 , UNLESS OTHERWISE SPECIFIED</p>
				<p>PARTY'S NAME PERMACORP GROUP OF COMPANIES., CANADA</p>
<p>PARTY'S DRAWING No. 6063 T5</p>	<p>AS PER AUTOCAD DRAWING</p>	<p>PARTY'S NAME PERMACORP GROUP OF COMPANIES., CANADA</p>	<p>DRAWING No. P-18786</p>	<p>SECTION No. -</p>
<p>ALLOY & TEMPER 6063 T5</p>	<p>ARCHITECTURAL SECTION-FLOOR PLANKS</p>	<p>SCALE 1:1</p>	<p>AREA mm² 850.713</p>	<p>PERIMETER mm. 691.721</p>
<p>DESCRIPTION</p>	<p>ARCHITECTURAL SECTION-FLOOR PLANKS</p>	<p>WEIGHT kg/m 2.297</p>	<p>DRAWING No. P-18786</p>	<p>SECTION No. -</p>
<p>DESCRIPTION</p>	<p>ARCHITECTURAL SECTION-FLOOR PLANKS</p>	<p>NAME J.P.KAUSHIK</p>	<p>DATE 23-10-2018</p>	<p>CHECKED</p>
<p>DESCRIPTION</p>	<p>ARCHITECTURAL SECTION-FLOOR PLANKS</p>	<p>APPROVED B.MATYARAJA</p>	<p>DATE 27-10-2018</p>	<p>SCALE 1:1</p>