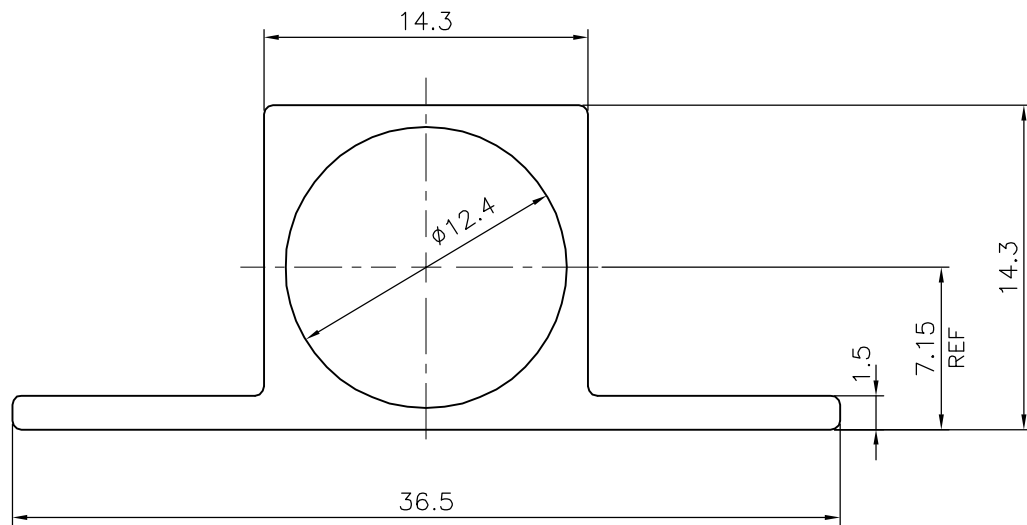
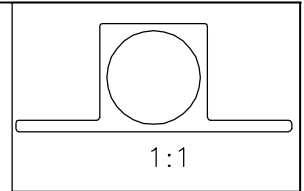


P-18840

X2426



SYMBOL OF QUALITY
AN ISO 9001 COMPANY

JINDAL ALUMINIUM LTD.
BANGALORE-560073 (INDIA)

	NAME	DATE
DRAWN	J.P.KAUSHIK	09-11-2018
CHECKED		
APPROVED	B.NATARAJA	22-11-2018
SCALE		3:1
AREA mm ²		116.89
PERIMETER mm.		100.227
WEIGHT kg/m		0.316
DRAWING No.	SECTION No.	
P-18840		
X2426	X2426	

1. ALL DIMENSIONS ARE IN mm.
2. ROUND OFF ALL SHARP CORNERS WITH 0.40 mm.
3. TOLERANCES WILL BE AS PER IS:6477-1983 UNLESS OTHERWISE SPECIFIED

PARTY'S NAME IMPERIAL METAL MART, DELHI

PARTY'S DRAWING No. AS PER DRAWING

ALLOY & TEMPER HE9 WP A3D

DESCRIPTION TOWER BOLT