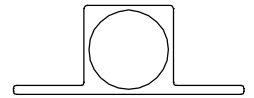
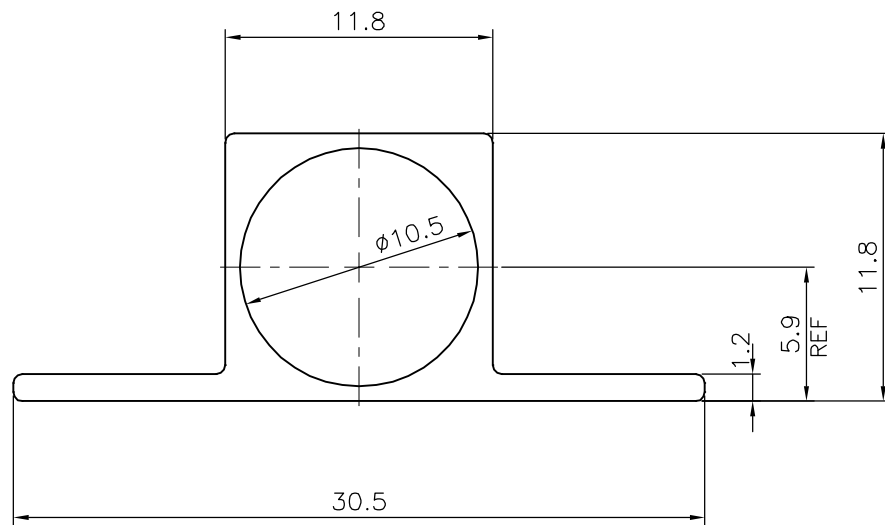


P-18841-1

X2427



1:1



SYMBOL OF QUALITY  
AN ISO 9001 COMPANY

**JINDAL ALUMINIUM LTD.**  
BANGALORE-560073 (INDIA)

1. ALL DIMENSIONS ARE IN mm.
2. ROUND OFF ALL SHARP CORNERS WITH 0.40 mm.
3. TOLERANCES WILL BE AS PER IS:6477-1983 UNLESS OTHERWISE SPECIFIED

PARTY'S NAME IMPERIAL METAL MART, DELHI

PARTY'S DRAWING No. AS PER DRAWING

ALLOY & TEMPER HE9 WP A3D

DESCRIPTION TOWER BOLT

	NAME	DATE
DRAWN	J.P.KAUSHIK	10-11-2018
CHECKED		
APPROVED	B.NATARAJA	22-11-2018
SCALE		3:1
AREA mm <sup>2</sup>		74.953
PERIMETER mm.		83.227
WEIGHT kg/m		0.202
DRAWING No.	SECTION No.	
P-18841-1		
X2427	X2427	